
2 Parts and diagrams

- [Order parts by authorized service providers](#)
- [How to use the parts lists and diagrams](#)
- [Assembly locations](#)
- [Document feeder and scanner assemblies \(M830\)](#)
- [Document feeder assemblies \(M830\)](#)
- [Scanner assemblies \(M830\)](#)
- [Covers](#)
- [Internal assemblies](#)
- [3500-sheet paper feeder \(HCI\)](#)
- [Stapler stacker/booklet maker](#)
- [Alphabetical parts list](#)
- [Numerical parts list](#)

Order parts by authorized service providers

Order parts, accessories, and supplies

Table 2-1 Order parts, accessories, and supplies

Order supplies and paper	www.hp.com/go/suresupply
Order genuine HP parts or accessories	www.hp.com/buy/parts
Order through service or support providers	Contact an HP-authorized service or support provider.
Order using HP software	For information about using the HP software to order parts, accessories, and supplies, see the product user guide.

Related documentation and software

Table 2-2 Related documentation and software

Item	Description	Part number
<i>HP LaserJet Enterprise M806 User Guide</i>	Product user guide	CZ244-90904 (M806)
<i>HP LaserJet Enterprise Flow MFP M830 User Guide</i>		CF367-90904 (M830)
<i>HP LaserJet Enterprise M806/Flow MFP M830 Repair Manual</i>	English service manuals	CZ### ##### CZ### #####
<i>HP LaserJet Enterprise M806/Flow MFP M830 Troubleshooting Manual</i>		

Supplies part numbers

Table 2-3 Supplies part numbers

Item	Description	Part number
HP LaserJet toner cartridges	Black toner cartridge	CF325X (new)
		CF325-67901 (service)

Customer self-repair parts

The following customer self-repair parts are available for the product.

Each kit includes parts and installation instructions. The customer self repair (CSR) level indicates the expected difficulty the customer will experience when replacing this part:

- **A:** Easy
- **B:** Difficult

Table 2-4 Customer self-repair parts

Item	Description	CSR level	Part number
Hard disk drive replacement kit	• Hard Disk, 320GB	B	CF367-67913
	• Hard disk cradle		
FIPS 140 HDD for US Government Replacement Kit (M806)	• FIPS 140 HDD for U.S. Government	B	CZ244-67906
	• Hard disk cradle		
Solid state memory kit (M806)	• Solid state module, 8GB	B	CZ244-67905
	• SSM twist lock		
1GB DIMM replacement kit (M830)	IC DDR2-SDRAM 128MX64 200 SO-DIMM	B	CF367-67917
512MB DIMM Kit (M806)	512MB DIMM	B	CF306-67901
1GB DIMM Kit (M830)	1GB DIMM	B	CF367-67917
Formatter kit (M830)	• Formatter PCA assembly	B	CF367-67915
	• M3 Screws		
	• Formatter cage assembly		
	• Thumbscrew		
Formatter kit (M806)	• Formatter PCA assembly	B	CZ244-67901
	• M3 Screws		
	• Formatter cage assembly		
	• Thumbscrew		
Formatter kit (M806)	• Formatter PCA assembly	B	CZ244-67902 (China/India)
	• M3 Screws		
	• Formatter cage assembly		
	• Thumbscrew		

Table 2-4 Customer self-repair parts (continued)

Item	Description	CSR level	Part number
Fax-card replacement kit (M830)	<ul style="list-style-type: none"> Fax card PCA Fax cable 	A	CF367-67911
Fuser kit	<ul style="list-style-type: none"> Fuser Recycling instructions 		CF367-67905 (110V) CF367-67906 (220V)
Fuser maintenance kit	Fuser	A	C2H67-67901 (110V) C2H57-67901 (220V)
NOTE: Make sure that you use the correct part number for the rated voltage of the product.			
HCI kit	HCI		C3F79-67901
HCI right tray kit	Tray assembly, right	A	CZ244-67903
HCI left tray kit	Tray assembly, left	A	CZ244-67904
Stapler/stacker Kit	Stapler/stacker	A	CZ994-67901
Stapler/stacker 2/3 hole punch kit	Stapler/stacker 2/3 hole puncher		CZ995-67901
Stapler/stacker 2/4 hole punch kit	Stapler/stacker 2/4 hole puncher		CZ996-67901
Booklet maker kit	Booklet maker		CZ285-67901
Staple-cartridge refill kit	Staple cartridge refill	A	C8085-60541 C8091A
Tray 1 roller kit	<ul style="list-style-type: none"> Tray 1 pickup roller Tray 1 feed roller 	A	CF367-67904
Tray 2-X roller kit	<ul style="list-style-type: none"> Feed roller (engine) Pickup roller (engine) Feed roller (HCI) Pickup roller (HCI) 	A	CF367-67903
ADF roller maintenance kit (M830)	ADF roller	A	C1P70-67901
Black toner cartridge kit	Black toner cartridge	A	CF325-67901
2000-staple cartridge kit (booklet maker)	2000-staple cartridge	A	CF367-67914
USB wireless print server kit	Wireless print server	A	J8026-61001
NFC accessory kit	NFC accessory		J8029-61001
Transfer roller kit	Transfer roller	A	CF367-67907
White backing A/3 kit (M830)	White ADF Backing	A	5851-5864
ADF separation pad spring kit (M830)	Spring, compression	B	5851-5855

Table 2-4 Customer self-repair parts (continued)

Item	Description	CSR level	Part number
Backside background selector kit (M830)	Background selector for backside scan	A	5851-5861
Control-panel assembly kit (M806)	Control panel assembly	A	5851-5950
Control-panel assembly kit (without keyboard-M830)	Control panel assembly	A	5851-5952
US English keyboard kit (M830)		A	5851-5380
UK English keyboard kit (M830)		A	5851-5008
Keyboard overlay kit (M830)	Keyboard overlay	A	5851-6019 (FR, IT, RU, DE, ES: UK Kybd) 5851-6020 (FR-CN, ES-LA, ES: US Kybd) 5851-6021 (FR-SW, DE-SW, DA: UK Kybd) 5851-6022 (ZHTW, ZHCN) 5851-6023 (ES, PT) 5851-6024 (JA-KG, JA-KT)
Duplexing assembly kit	Duplexing assembly	A	CZ244-00028

Service replacement parts

Table 2-5 Service replacement parts

Item	Description	Part number
Front door assembly kit	<ul style="list-style-type: none"> Front door assembly HP logo jewel (35mm, round, polished) Product label/name plate 	CF367-67909
Toner vacuum service kit	<ul style="list-style-type: none"> Toner vacuum Instructions for use 	CC468-69002 (110V) CC468-69003 (220V)
ADF whole unit kit (M830)	<ul style="list-style-type: none"> ADF whole unit White backing A3 kit 	CF367-67920
Image scanner A3 whole unit kit (M830)	<ul style="list-style-type: none"> Image scanner A3 whole unit White backing A3 kit 	CF367-67919
Sanner control board kit (M830)	SCB assembly	CF367-60002
A3 ADF mylar kit (M830)	Mylar	5851-5857

Table 2-5 Service replacement parts (continued)


Item	Description	Part number
E-ring, pin, and bushing kit	<ul style="list-style-type: none"> E-ring E-ring for clutch Washer Pin Bushing 	5851-6142
Stapler/stacker 2/3 hole punch assembly kit	Stapler/stacker 2/3 punch hole puncher assembly	CF367-67922
Stapler/stacker 2/4 hole punch assembly kit	Stapler/stacker 2/4 punch hole puncher assembly	CF367-67923


Accessories

Item	Description	Part number
HP LaserJet Stapler/Stacker	Stapler/stacker finishing accessory	CZ994A
HP LaserJet Stapler/Stacker with 2/3 hole punch	Stapler/stacker with hole punch finishing accessory for countries/regions that use imperial measurements	CZ995A
HP LaserJet Stapler/Stacker with 2/4 hole punch	Stapler/stacker with hole punch finishing accessory for countries/regions that use metric measurements	CZ996A
HP LaserJet Booklet Maker/Finisher	Booklet maker finishing accessory	CZ285A
HP Jetdirect ew2500 Wireless Print Server	USB wireless print server	J8026A
HP Jetdirect 2800w NFC & Wireless Direct Accessory	Wireless direct accessory for “touch” printing from mobile devices	J8029A

How to use the parts lists and diagrams

The figures in this chapter show the major subassemblies in the product and their component parts. A parts list table follows each exploded view assembly diagram. Each table lists the item number, the associated part number, and the description of each part. If a part is not listed in the table, then it is not a field replacement unit (FRU).

 **CAUTION:** Be sure to order the correct part. When looking for part numbers for electrical components, pay careful attention to the voltage that is listed in the description column. Doing so will ensure that the part number selected is for the correct model.

 **NOTE:** In this manual, the abbreviation “PCA” stands for “printed circuit-board assembly.” Components described as a PCA might consist of a single circuit board or a circuit board plus other parts, such as cables and sensors.

Assembly locations

Base product (no optional trays or accessories)

Figure 2-1 M830 product integrated scanner assembly (ISA)

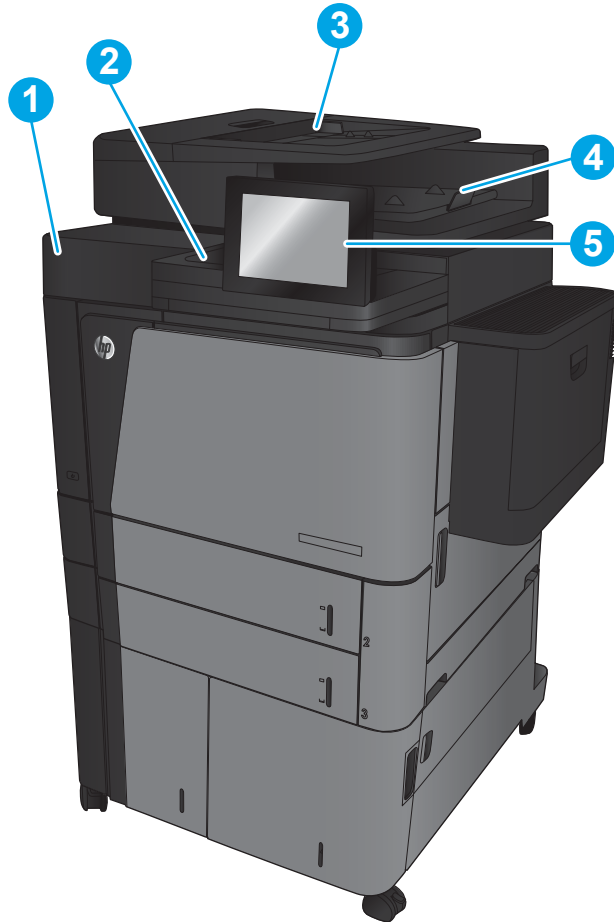


Table 2-6 M830 product integrated scanner assembly (ISA)

Item	Description	Item	Description
1	Scanner assembly	4	ADF output bin
2	Hardware Integration Pocket (HIP) cover	5	Control-panel assembly
3	Automatic document feeder (ADF)		

Figure 2-2 Base product (no optional trays or accessories)

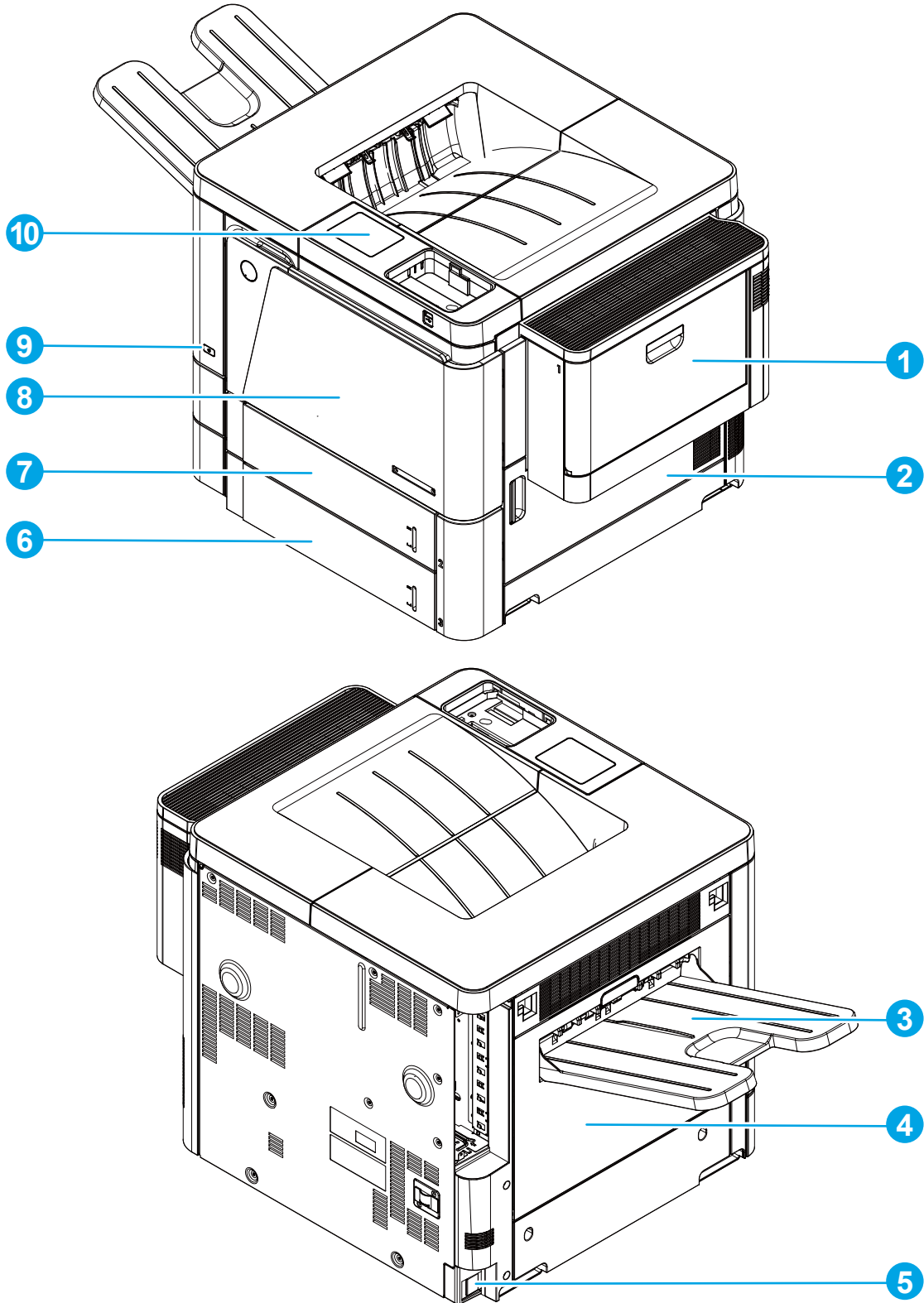


Table 2-7 Base product (no optional trays or accessories)

Item	Description	Item	Description
1	Multipurpose tray	6	Cassette 2

Table 2-7 Base product (no optional trays or accessories) (continued)

Item	Description	Item	Description
2	Right door	7	Cassette 1
3	Face-up tray	8	Front door
4	Left door	9	Power switch
5	Power receptacle	10	Hardware Integration Pocket (HIP) cover (M806 only)

NOTE: This cover is on the ISA for the M830 product.

Document feeder and scanner (M830)

Figure 2-3 Document feeder and scanner (M830)

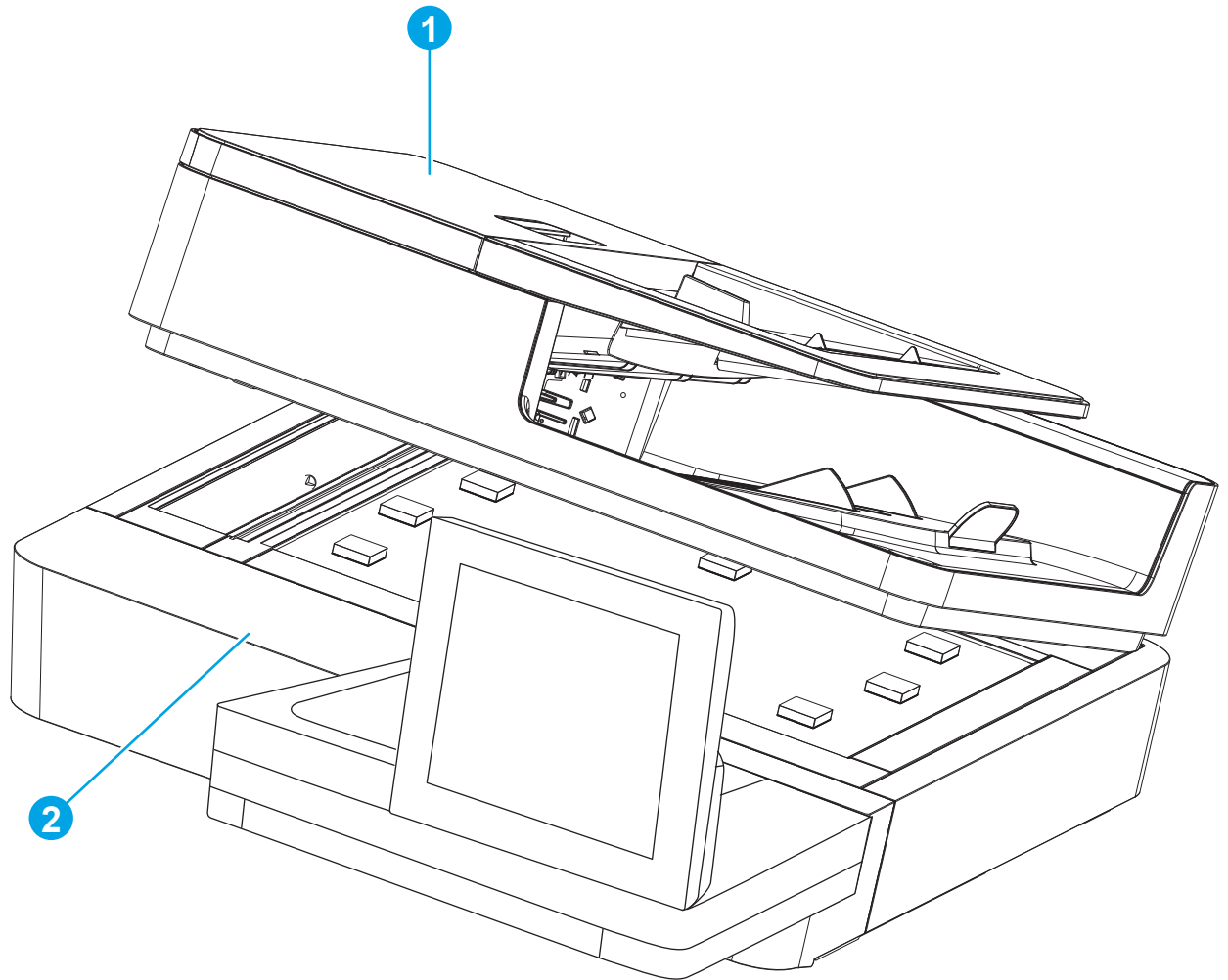


Table 2-8 Document feeder and scanner (M830)

Item	Description
1	Document feeder assembly
2	Scanner assembly

High capacity input (HCI) feeder

Figure 2-4 High capacity input (HCI) feeder covers

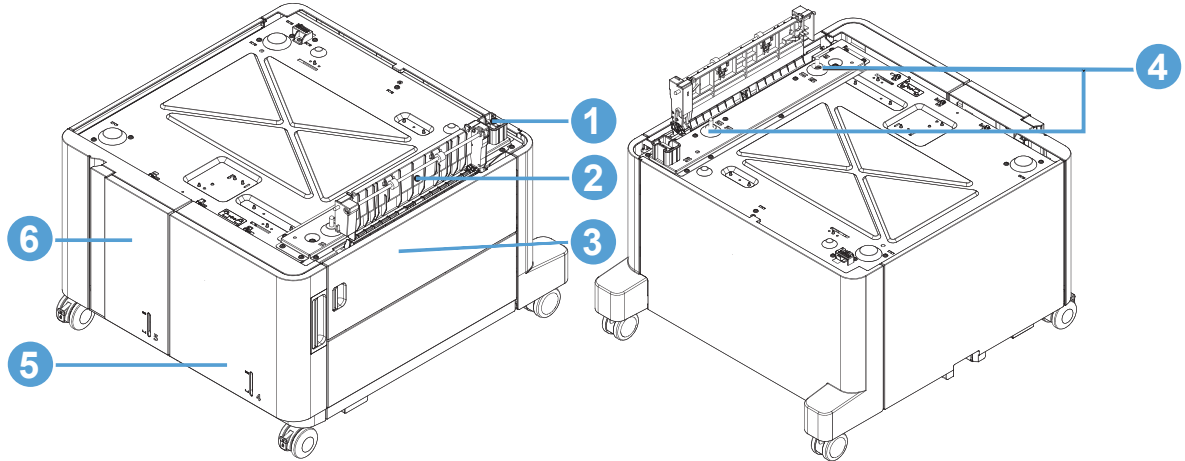


Table 2-9 High capacity input (HCI) feeder covers

Item	Description	Item	Description
1	Connector	4	Positioning pin
2	Paper path assembly	5	Right cassette
3	Right door	6	Left cassette

Finishing accessories


 **NOTE:** Unless otherwise noted, many of the covers, doors, and output bins are common to all of the finishing accessories.

Figure 2-5 Stapler/stacker and stapler/stacker with hole punch covers

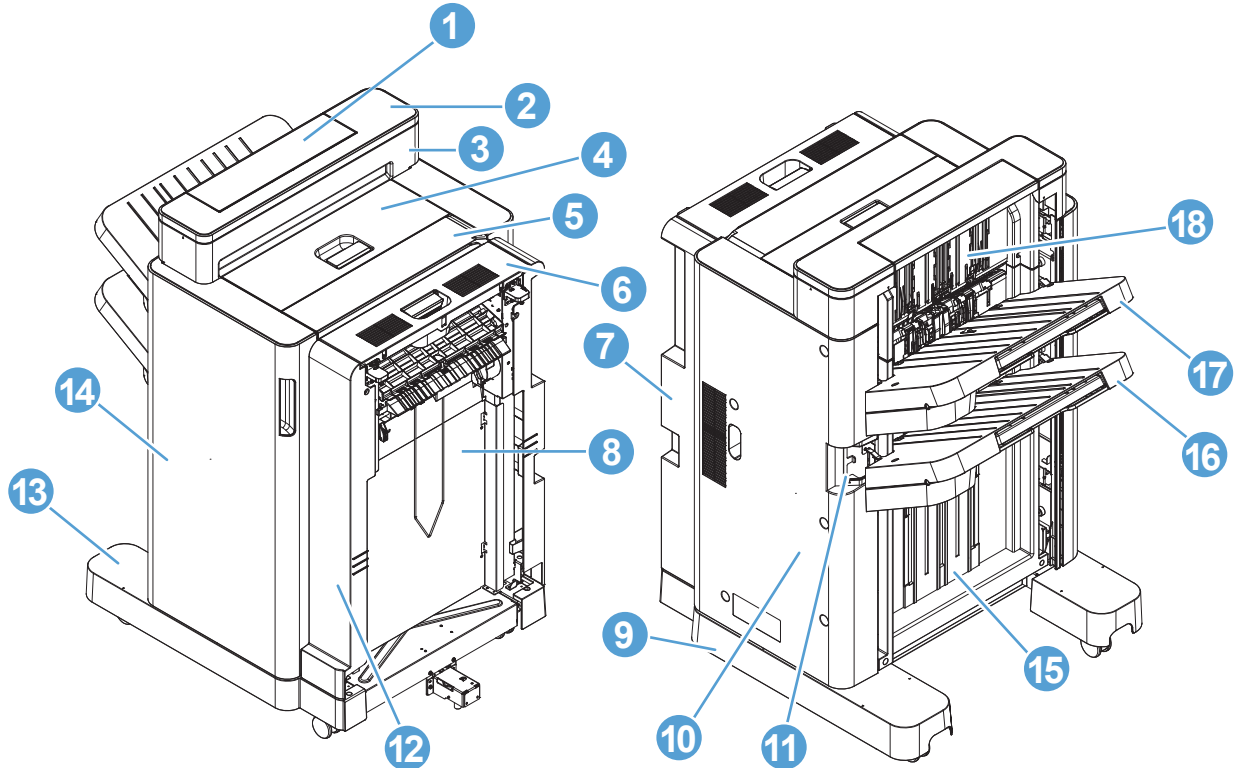


Table 2-10 Stapler/stacker and stapler/stacker with hole punch covers

Item	Description	Item	Description
1	Open/closed stepped cover	10	Rear cover
2	Upper stepped cover	11	Bin cable cover
3	Lower stepped cover	12	Pre-reverse cover
4	Upper (top) cover	13	Front foot cover
5	Punch cover	14	Front cover (door)
NOTE: Stapler/stacker with hole punch only.			
6	Upper reverse cover	15	Height wall assembly
7	Rear reverse cover	16	Lower bin assembly
8	Right cover	17	Upper bin assembly
9	Rear foot cover	18	Stack wall upper assembly and upper wall guide

Figure 2-6 Booklet maker only covers

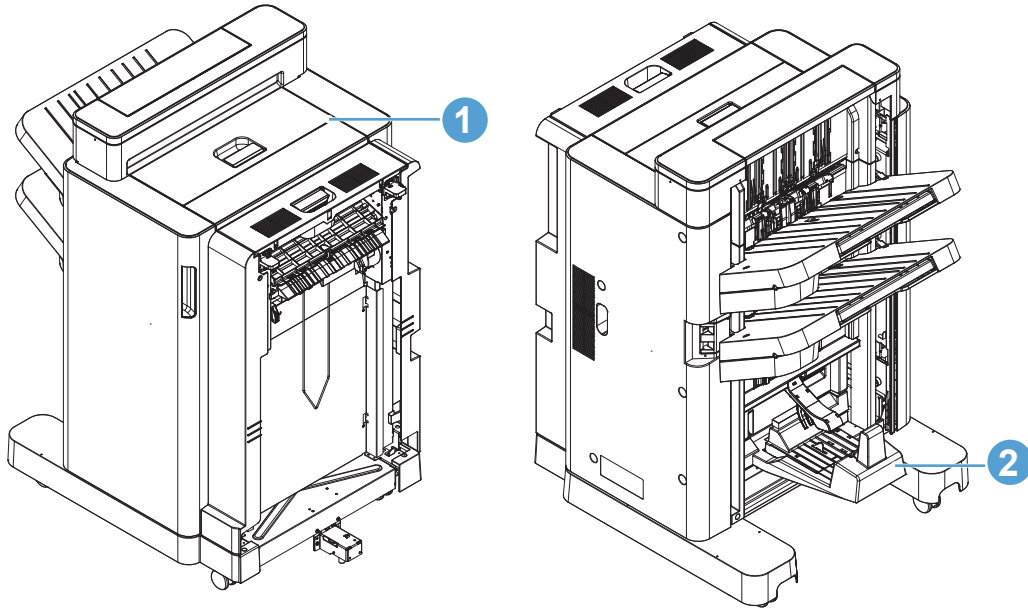


Table 2-11 Booklet maker only covers

Item	Description	Item	Description
1	Upper (top) cover with extension	2	Saddle bin assembly

Document feeder and scanner assemblies (M830)

Figure 2-7 Document feeder and scanner assemblies (M830)

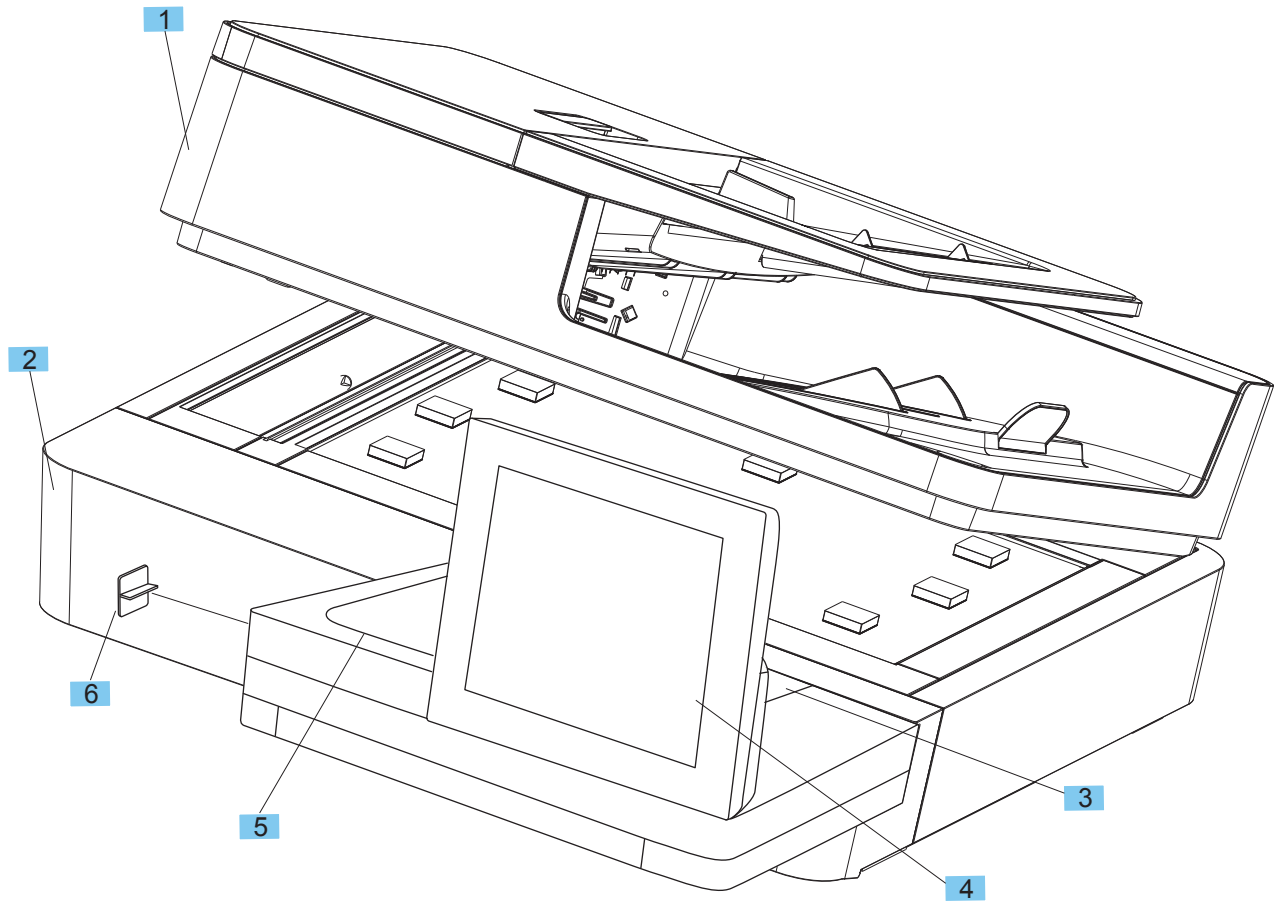


Table 2-12 Document feeder and scanner assemblies (M830)

Ref	Description	Part number	Qty
1	Kit, ADF whole unit, A3 (includes white backing kit) (M830)	CF367-67920	1
2	Kit, scanner whole unit (includes white backing kit) (M830)	CF367-67919	1
3	Cover, control panel access (M830)	5042-9118	1
4	Kit, control panel (without keyboard) (M830)	5851-5952	1
5	Cover, HIP (M830)	5851-5361	1
6	Cover, USB (M830)	5851-5360	1
Not shown	Kit, white backing, A3 (M830)	5851-5864	1
Not shown	Kit, ADF Mylar, A3 (M930)	5851-5857	1

Document feeder assemblies (M830)

Figure 2-8 Document feeder assemblies (M830; 1 of 2)

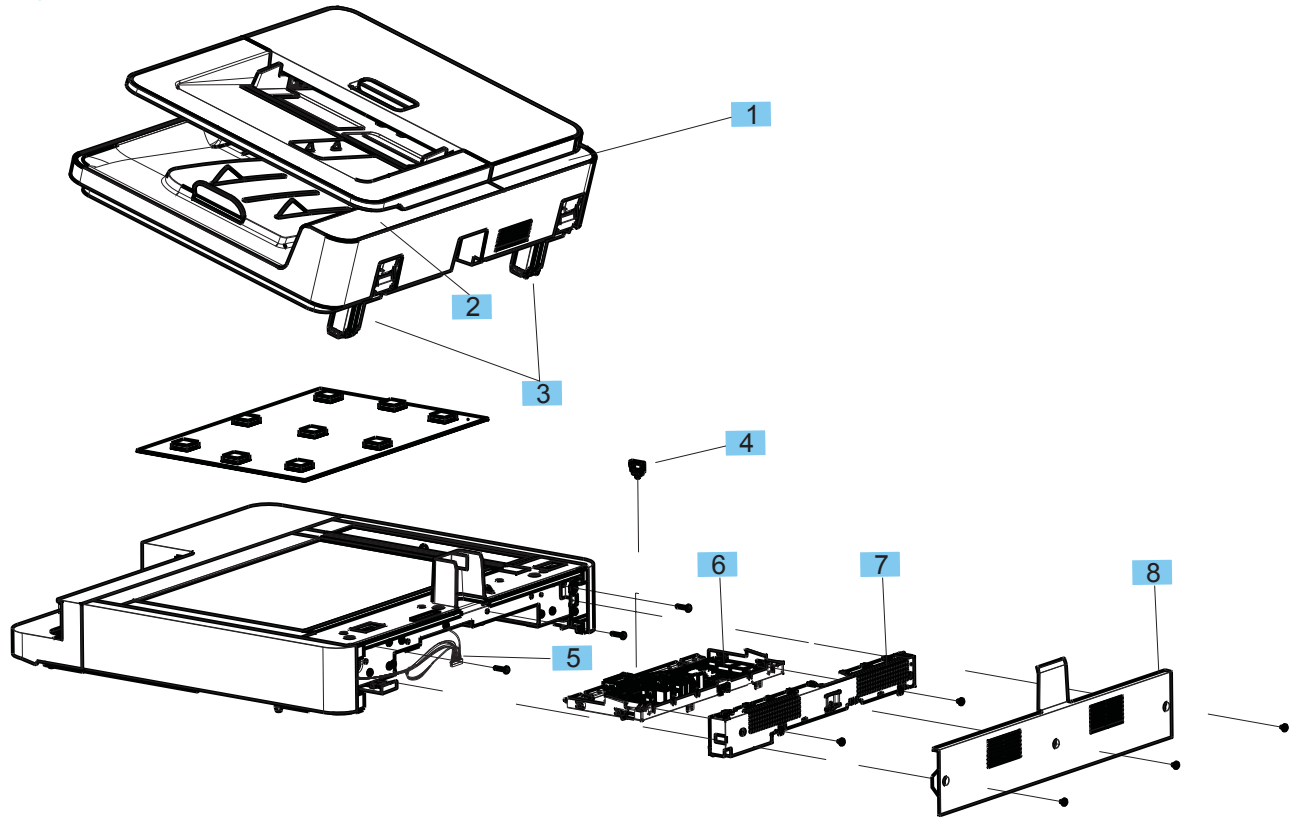


Table 2-13 Document feeder assemblies (1 of 2; M830)

Ref	Description	Part number	Qty
1	Cover, rear, left ADF (M830)	A8T68-40067	1
2	Cover, rear, right ADF (M830)	A8T68-40066	1
3	Assembly, ADF hinge (M830)	A8T68-60025	2
4	Clip, ISA cable (M830)	5851-4725	1
5	Cable, power, integrated scan assembly (M830)	CF367-60127	1
6	Scanner control board (SCB; M830)	CF367-60002	1
7	Cage, back, SCB cover (M830)	CF367-00018	1
8	Cover, back, scanner (M830)	CF368-60142	1
Not shown	Flag, paper presence (M830)	A8T68-40033	1
Not shown	Photosensor with connector (M830)	CC355-80014	1
Not shown	Stopper, load-front (M830)	A8T68-40034	1
Not shown	Stopper, load-rear (M830)	A8T68-40035	1
Not shown	Stopper, front (M830)	A8T68-40042	1
Not shown	Stopper, rear (M830)	A8T68-40042	1
Not shown	Lift plate assembly (M830)	A8T68-60006	1

Figure 2-9 Document feeder assemblies (M830; 2 of 2)

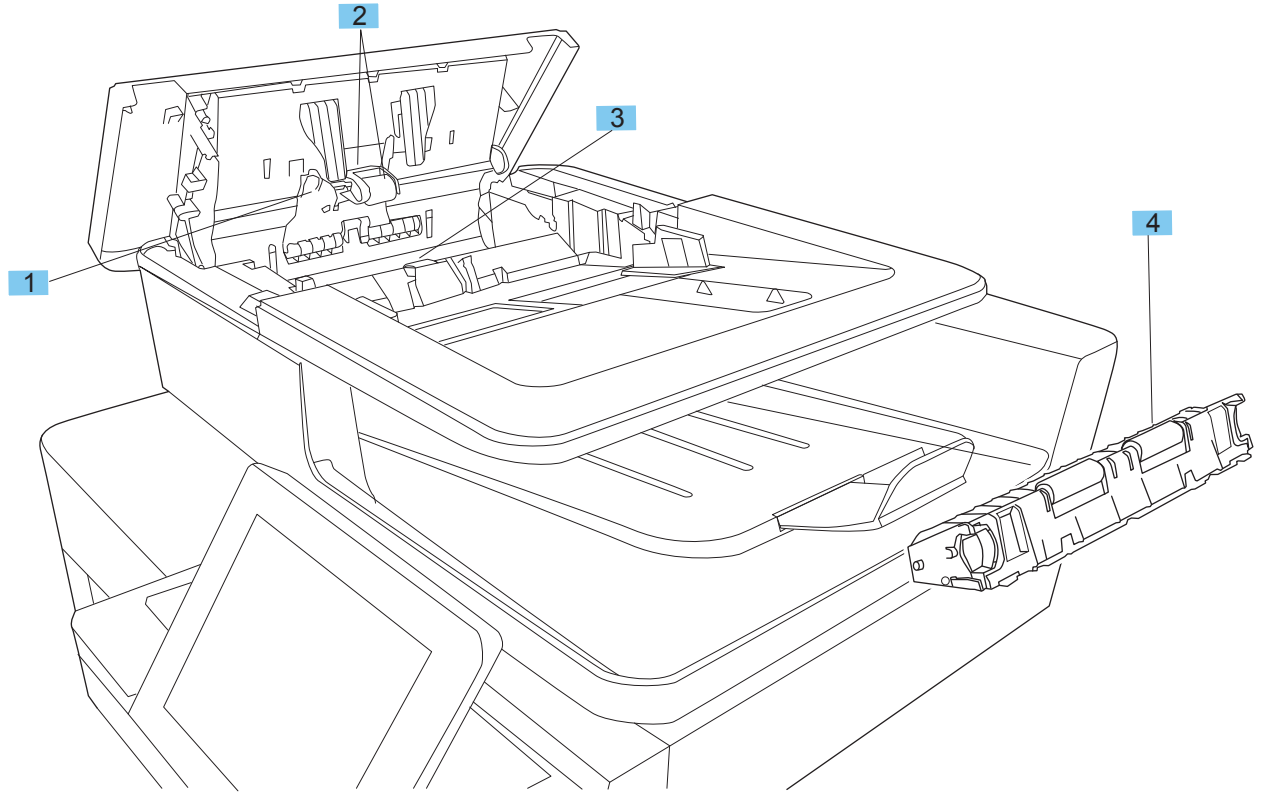


Table 2-14 Document feeder assemblies (2 of 2; M830)

Ref	Description	Part number	Qty
1	Cover, ADF roller (M830)	A8T68-40072	1
2	Kit, ADF roller (M830)	C1P70-67901	1
3	Background selector for backside scan (M830)	A8T68-60021	1
Not shown	Kit, ADF separation pad spring (M830)	5851-5855	1

Scanner assemblies (M830)

Figure 2-10 Scanner assemblies

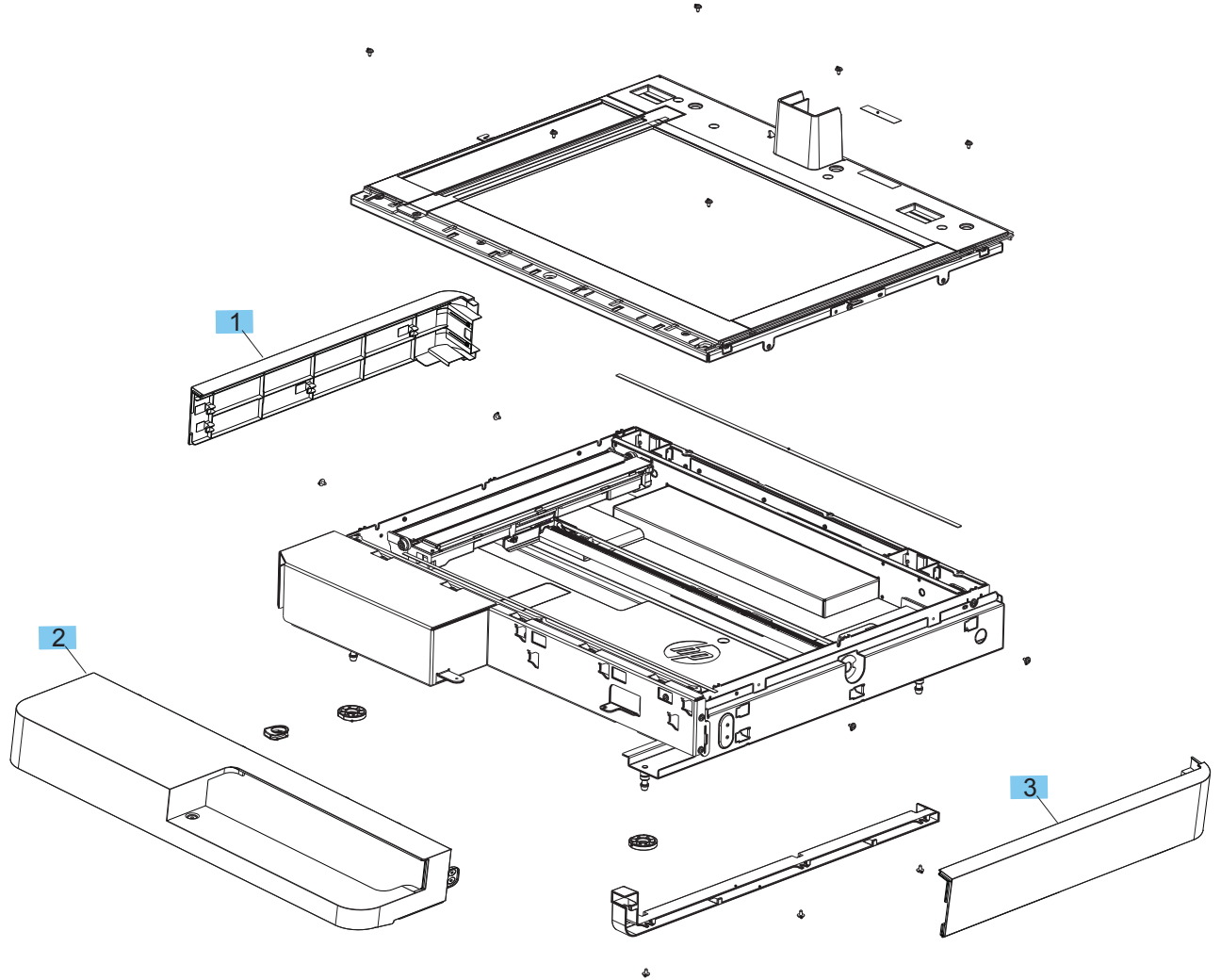


Table 2-15 Scanner assemblies

Ref	Description	Part number	Qty
1	Cover, left, scanner (M830)	CF367-40003	1
2	Cover, front, scanner (M830)	CF367-40002	1
3	Cover, right, scanner (M830)	CF367-40004	1

Covers

Figure 2-11 Covers
M830

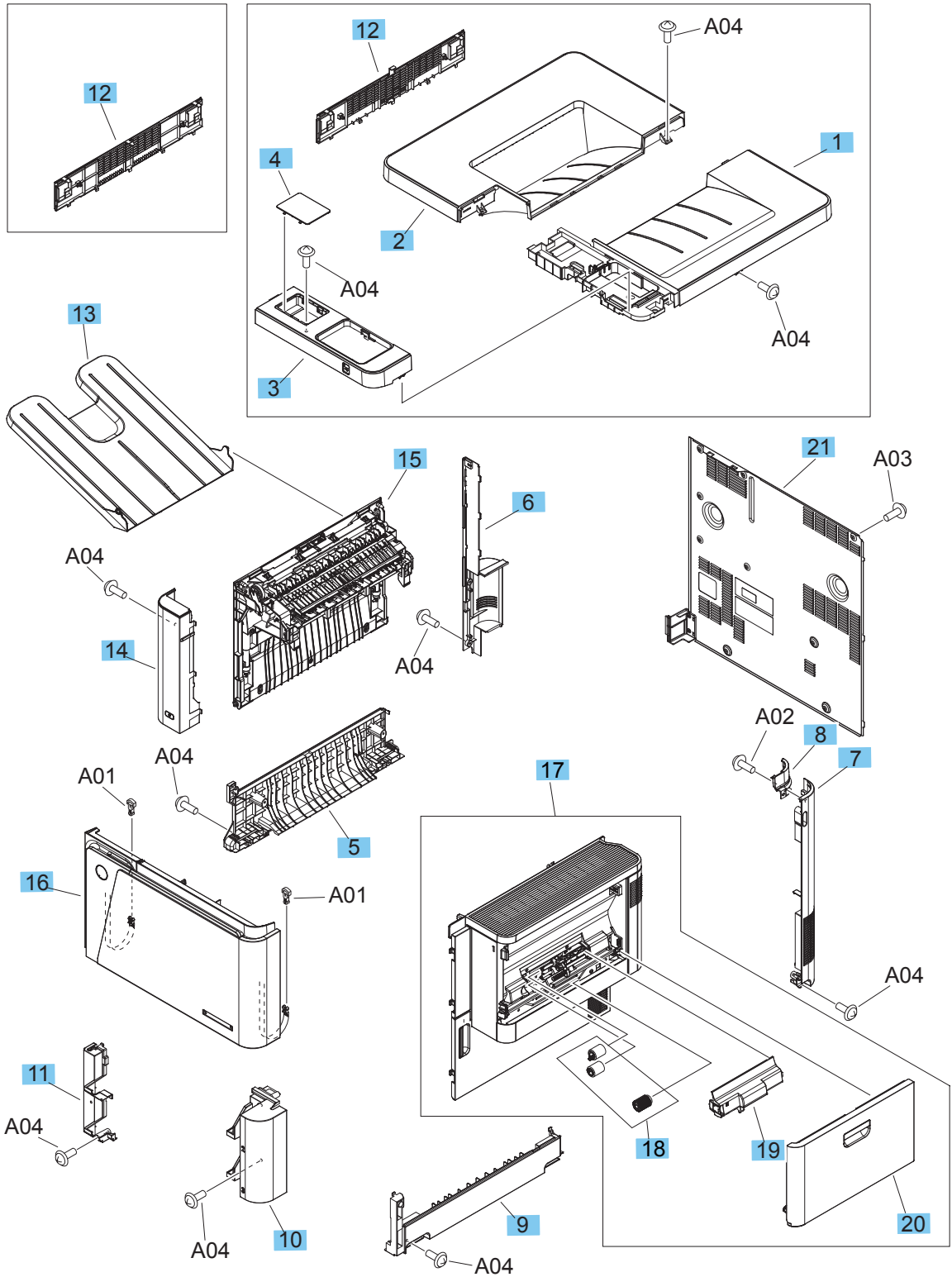


Table 2-16 Covers

Ref	Description	Part number	Qty
1	Cover, top right (M806)	RC3-3945-000CN	1
2	Cover, top left (M806)	RC3-3946-000CN	1
3	Cover, operation panel, top (M806)	RC3-3947-000CN	1
4	Cover, hip (M806)	RC3-3948-000CN	1
5	Cover, left lower	RC3-3949-000CN	1
6	Cover, corner, left rear	RC3-3952-000CN	1
7	Cover, right rear corner, lower	RC3-3954-000CN	1
8	Cover, right rear corner, upper	RC3-3955-000CN	1
9	Cover, right lower	RC3-3956-000CN	1
10	Cover, corner, right front	RC3-3957-000CN	2
11	Cover, corner, left front	RC3-3958-000CN	1
12	Cover, left upper (M806)	RC3-3979-000CN	1
12	Cover, left upper (M830)	RC3-4589-000CN	1
13	Tray, face-up	RC3-3985-000CN	1
14	Front left lower cover assembly	RM1-9722-000CN	1
15	Left door assembly	RM1-9736-000CN	1
16	Kit, front door assembly	CF367-67909	1
17	Right door assembly	RM1-9769-000CN	1
18	Kit, tray 2-X roller	CF367-67903	1
19	Roller cover assembly	RM1-9809-000CN	1
20	Multi-purpose tray (Tray 1) assembly	RM1-9774-000CN	1
21	Rear cover assembly	RM1-9787-000CN	1

Internal assemblies

Internal assemblies (1 of 4)

Figure 2-12 Internal assemblies (1 of 4)

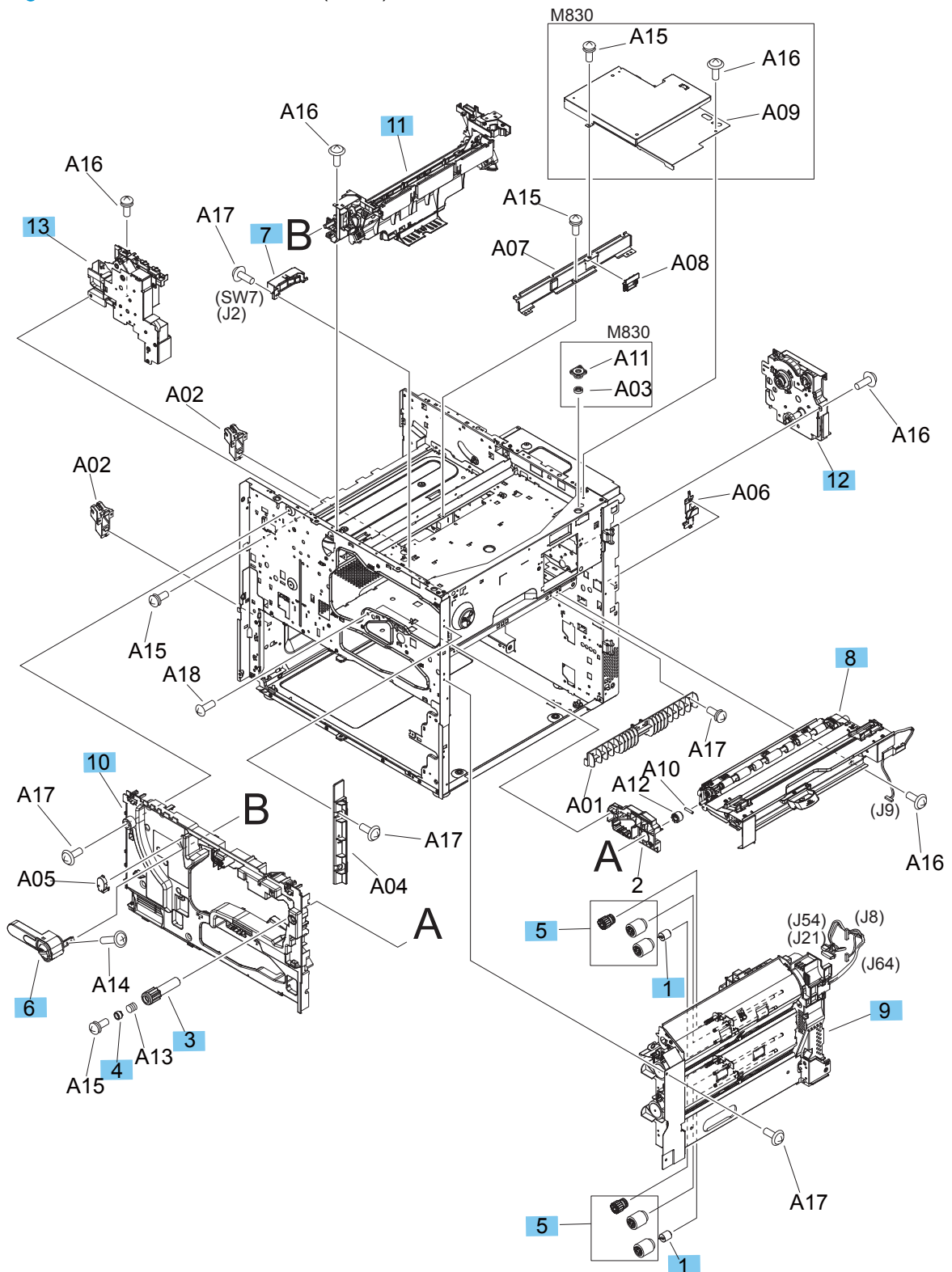


Table 2-17 Internal assemblies (1 of 4)

Ref	Description	Part number	Qty
1	Limiter, torque	RB2-5759-000CN	2
2	Guide, cartridge, front	RC3-3968-000CN	1
3	Dial, jam dispose	RC3-4269-000CN	1
4	Lid, jam dispose dial	RC4-2004-000CN	1
5	Kit, tray 2 roller	CF367-67903	4
6	Control lever assembly	RG5-5746-030CN	1
7	Right door switch assembly	RM1-9725-000CN	1
8	Registration assembly	RM1-9742-000CN	1
9	Paper pickup assembly	RM1-9745-000CN	1
10	Front inner cover assembly	RM1-9760-000CN	1
11	Cartridge lifter assembly	RM1-9775-000CN	1
12	Drum drive assembly	RM1-9784-000CN	1
13	Fusing drive assembly	RM1-9788-000CN	1

Internal assemblies (2 of 4)

Figure 2-13 Internal assemblies (2 of 4)

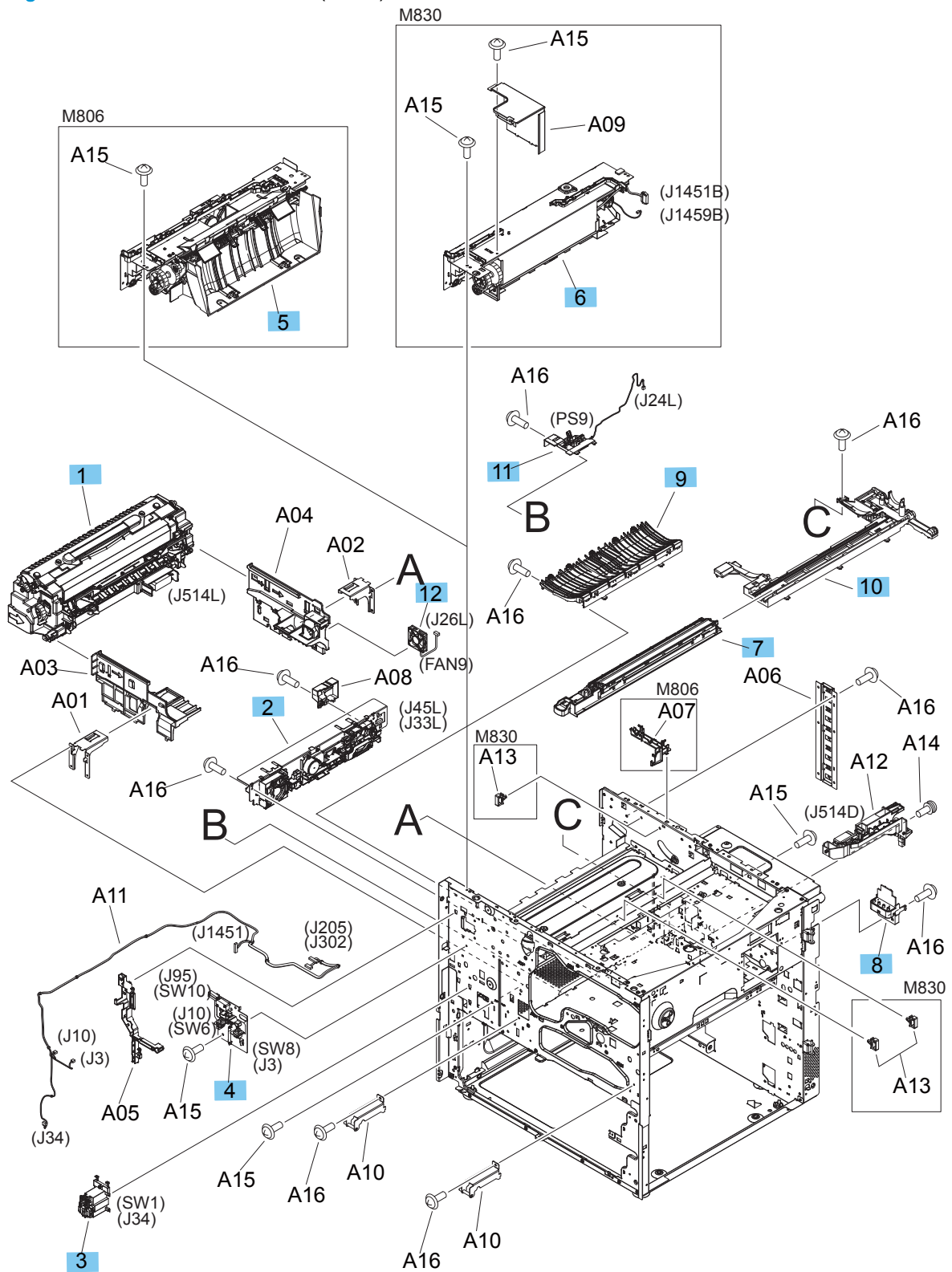


Table 2-18 Internal assemblies (2 of 4)

Ref	Description	Part number	Qty
1	Kit, fuser assembly, 110V	CF367-67905	1
1	Kit, fuser assembly, 220V	CF367-67906	1
2	Cooling unit assembly	RM1-9720-000CN	1
3	Power switch assembly	RM1-9723-000CN	1
4	Interlock assembly	RM1-9724-000CN	1
5	Face-down paper delivery assembly (M806)	RM1-9732-000CN	1
6	Paper delivery fan assembly (M830)	RM1-9734-000CN	1
7	Kit, transfer roller assembly	CF367-67907	1
8	Cartridge contact assembly	RM1-9758-000CN	1
9	Transfer paper feed assembly	RM1-9705-000CN	1
10	Transfer holder assembly	RM1-9706-000CN	1
11	Sensor unit, loop	RM1-9707-000CN	1
12	Fan	RK2-5004-000CN	1

Internal assemblies (3 of 4)

Figure 2-14 Internal assemblies (3 of 4)

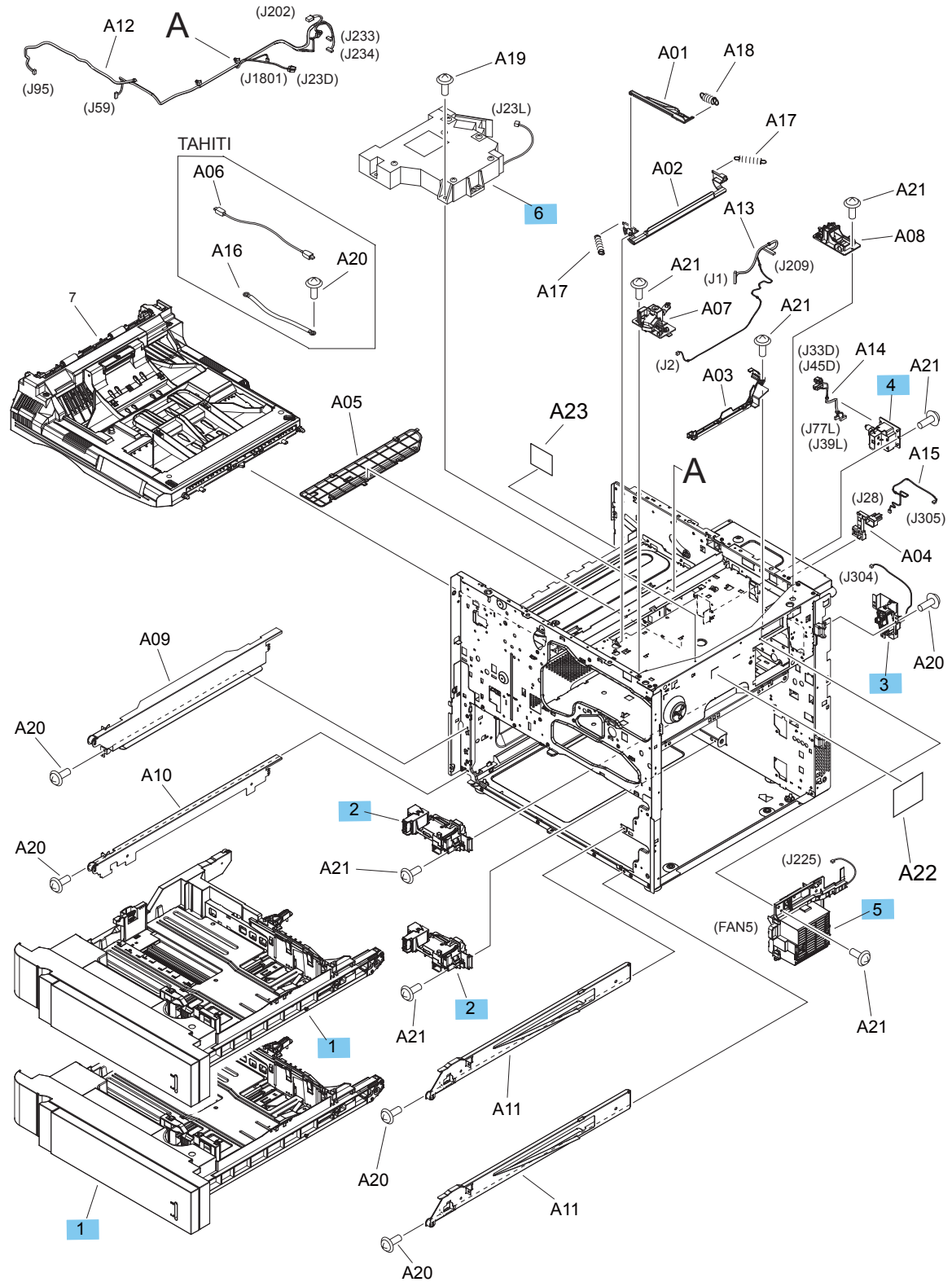


Table 2-19 Internal assemblies (3 of 4)

Ref	Description	Part number	Qty
1	Cassette assembly	RM1-9726-000CN	2
2	Auto close assembly	RM1-9757-000CN	2
3	Tag assembly	RM1-9759-000CN	1
4	Fixing bias contact assembly	RM1-9762-000CN	1
5	Cartridge fan assembly	RM1-9768-000CN	1
6	Laser scanner assembly	RM2-5207-000CN	1

Internal assemblies (4 of 4)

Figure 2-15 Internal assemblies (4 of 4)

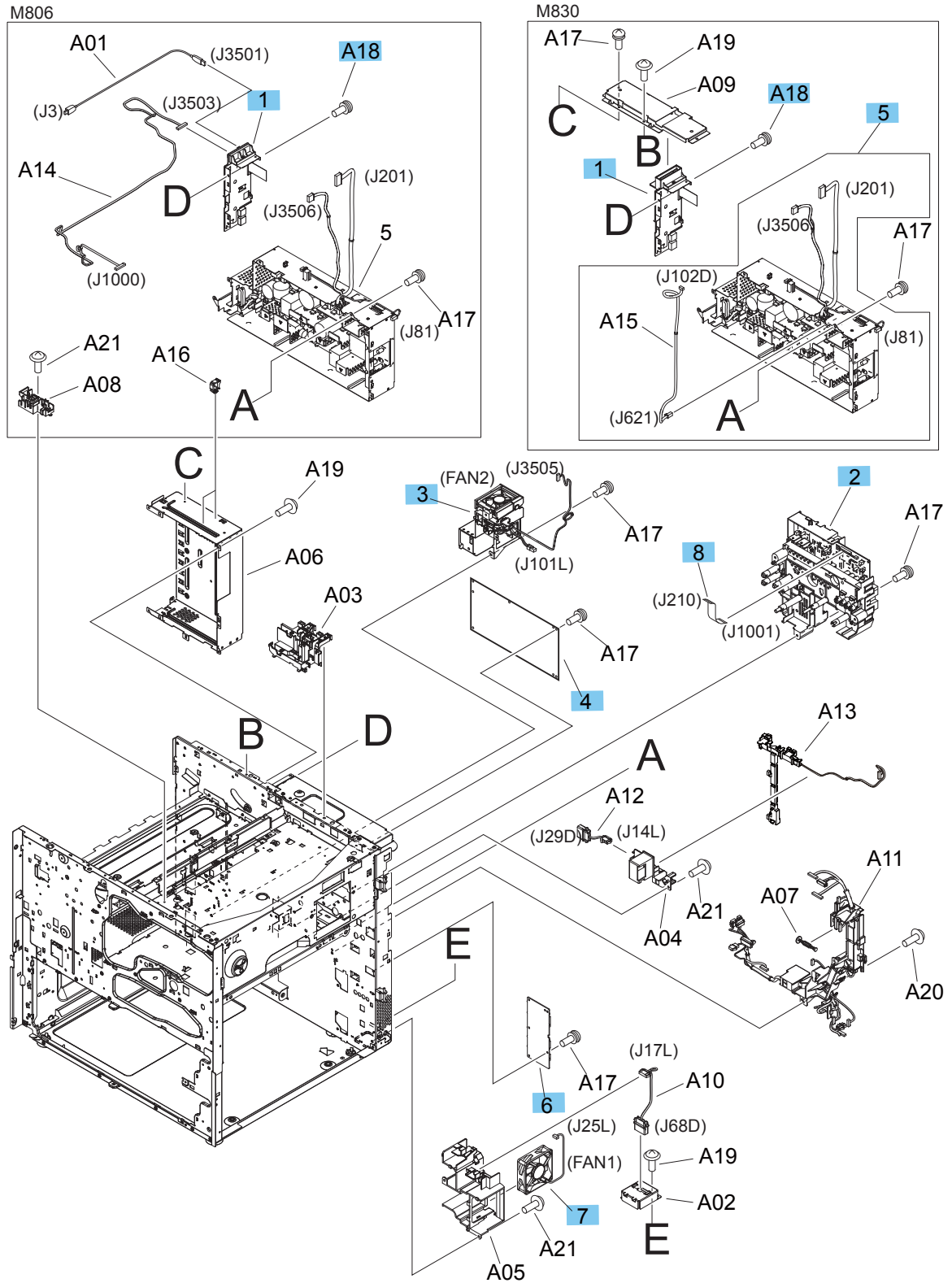


Table 2-20 Internal assemblies (4 of 4)

Ref	Description	Part number	Qty
1	ICB PCA assembly (M806)	RM1-9764-000CN	1
1	ICB PCA assembly (M830)	RM1-9765-000CN	1
2	High voltage power supply	RM1-9767-000CN	1
3	Option connector assembly	RM1-9778-000CN	1
4	DC controller PCA assembly	RM2-0540-000CN	1
5	Low-voltage power supply, 110-127V (M806)	RM2-0544-000CN	1
5	Low-voltage power supply, 220-240V (M806)	RM2-0545-000CN	1
5	Low-voltage power supply, 110-127V (M830)	RM2-0548-000CN	1
5	Low-voltage power supply, 220-240V (M830)	RM2-0549-000CN	1
6	Driver PCA assembly	RM2-0558-000CN	1
7	Fan	RK2-4997-000CN	1
8	Cable, flexible flat	RK2-5013-000CN	1
A18	Connector	VS17258-012CN	1

3500-sheet paper feeder (HCI)

3500-sheet paper feeder covers

Figure 2-16 3500-sheet paper feeder covers

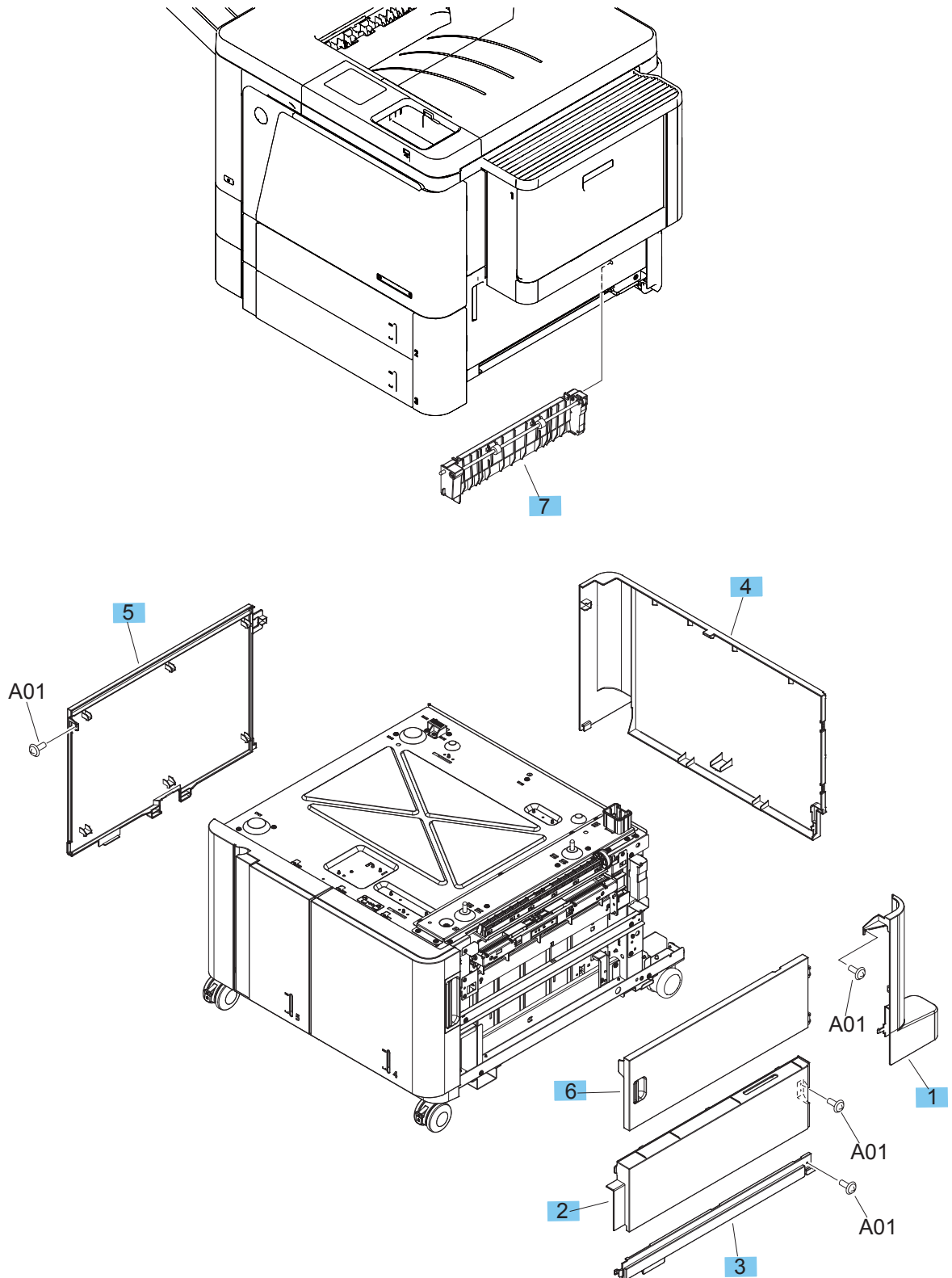


Table 2-21 3500-sheet paper feeder (1 of 3)

Ref	Description	Part number	Qty
1	Cover, corner, right rear	RC3-4715-000CN	1
2	Cover, right center	RC3-4716-000CN	1
3	Cover, right lower	RC3-4717-000CN	1
4	Cover, rear	RC3-4718-000CN	1
5	Cover, left	RC3-4719-000CN	1
6	Right door assembly	RM1-9577-000CN	1
7	Paper path connection assembly	RG5-6227-040CN	1

3500-sheet paper deck components

Figure 2-17 3500-sheet paper feeder (1 of 2)

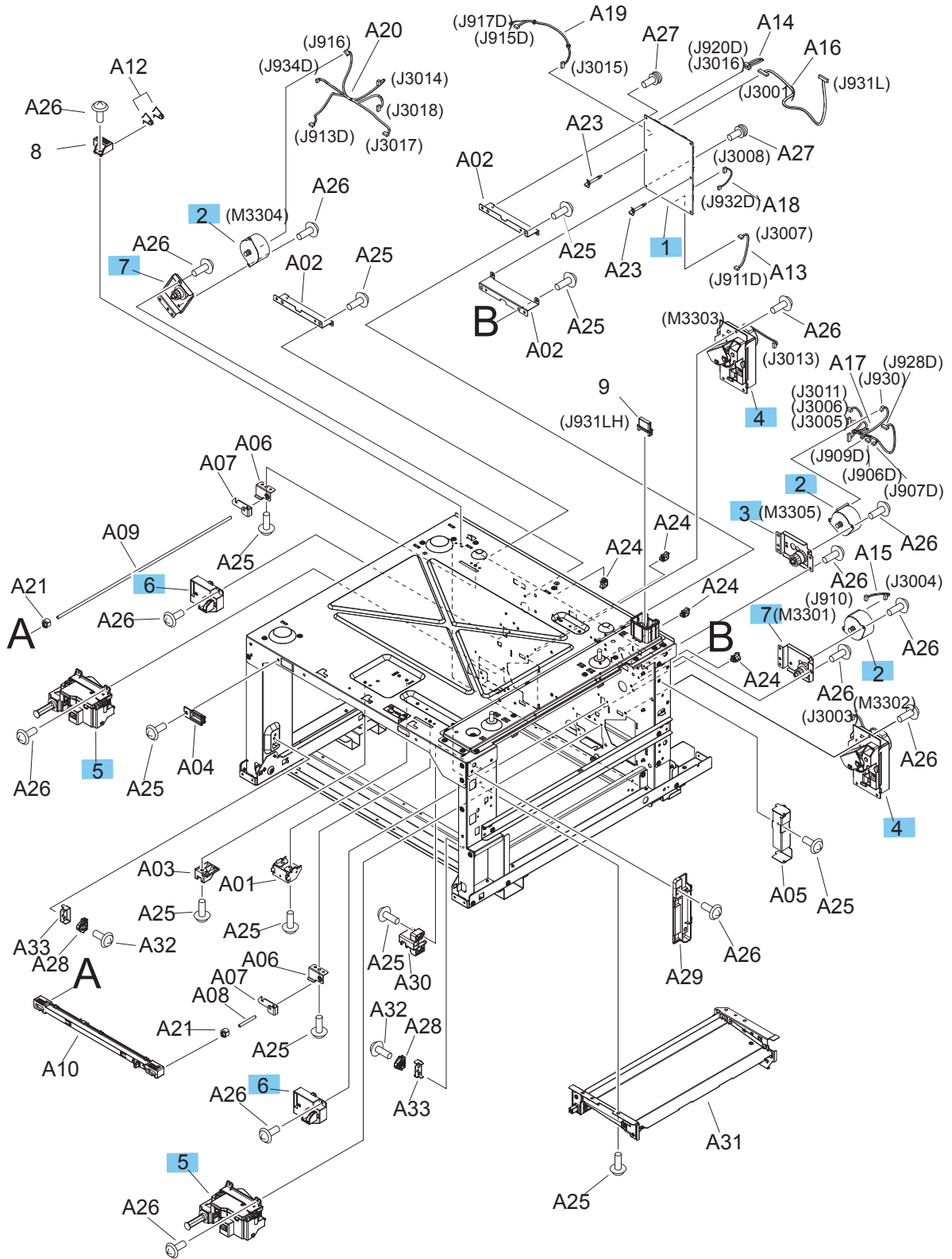


Table 2-22 3500-sheet paper feeder (1 of 2)

Ref	Description	Part number	Qty
1	Controller PCA assembly	RM2-0567-000CN	1
2	Motor, stepping, DC	RK2-1331-000CN	3
3	Crossing drive assembly	RM1-9582-000CN	1
4	Lifter drive assembly	RM1-8879-000CN	2
5	Auto close assembly	RM1-8880-000CN	2
6	Paper remnant detect assembly	RM1-9579-000CN	2
7	Paper pick-up drive assembly	RM1-9581-000CN	2

Figure 2-18 3500-sheet paper feeder (2 of 2)

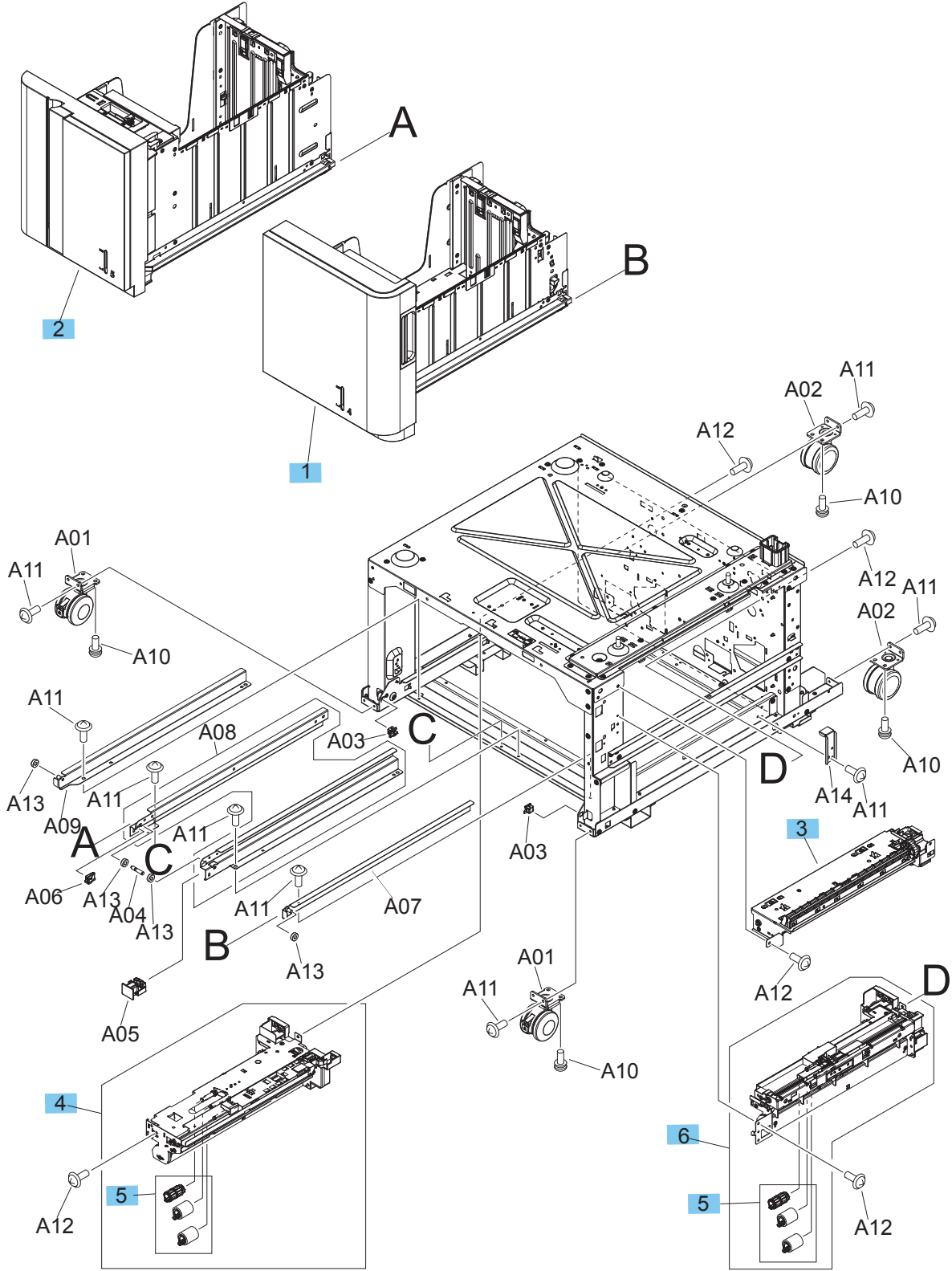


Table 2-23 3500-sheet paper feeder (2 of 2)

Ref	Description	Part number	Qty
1	Kit, HCI right tray	CZ244-67903	1
2	Kit, HCI left tray	CZ244-67904	1
3	Crossing paper feed assembly	RM1-9883-000CN	1
4	Paper pick-up assembly	RM2-0708-000CN	1
5	Kit, tray 2-x roller	CF367-67903	2
6	Paper pickup paper feed assembly	RM2-0709-000CN	1

Stapler stacker/booklet maker

Stapler stacker covers

Figure 2-19 Stapler stacker covers

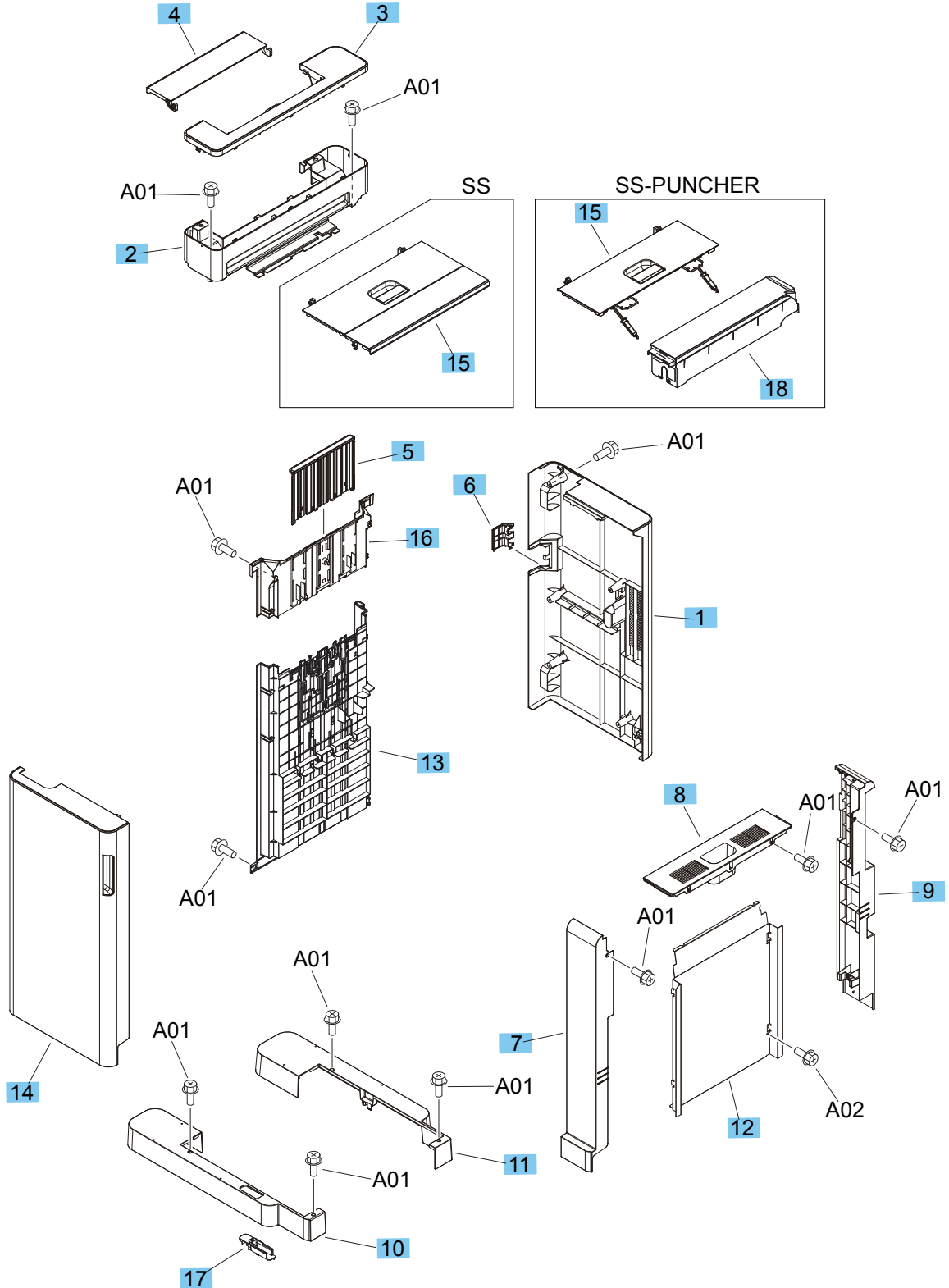


Table 2-24 Stapler stacker covers

Ref	Description	Part number	Qty
1	Cover, rear	RC4-2444-000CN	1
2	Cover, stepped, lower	RC4-2447-000CN	
3	Cover, stepped, upper	RC4-2448-000CN	1
4	Cover, open/close stepped	RC4-2449-000CN	1
5	Guide, wall, upper	RC4-2455-000CN	1
6	Cover, tray cable	RC4-2462-000CN	1
7	Cover, pre-reverse	RC4-2519-000CN	1
8	Cover, reverse, upper	RC4-2520-000CN	1
9	Cover, reverse, rear	RC4-2521-000CN	1
10	Cover, foot, front	RM2-6056-000CN	1
11	Cover, foot, rear	RM2-6057-000CN	1
12	Cover, right	RC4-2565-000CN	1
13	Height wall lower assembly	RM2-5853-000CN	1
14	Front cover assembly	RM2-5320-000CN	1
15	Upper cover assembly (stapler/stacker)	RM2-5322-000CN	1
15	Upper cover assembly (stapler/stacker, hole puncher)	RM2-5535-000CN	1
16	Stack wall upper assembly	RM2-5343-000CN	1
17	Handle, lock release	RC4-2584-000CN	1
18	Punch upper cover assembly (stapler/stacker, hole puncher)	RM2-5515-000CN	1

Booklet maker covers

Figure 2-20 Booklet maker covers

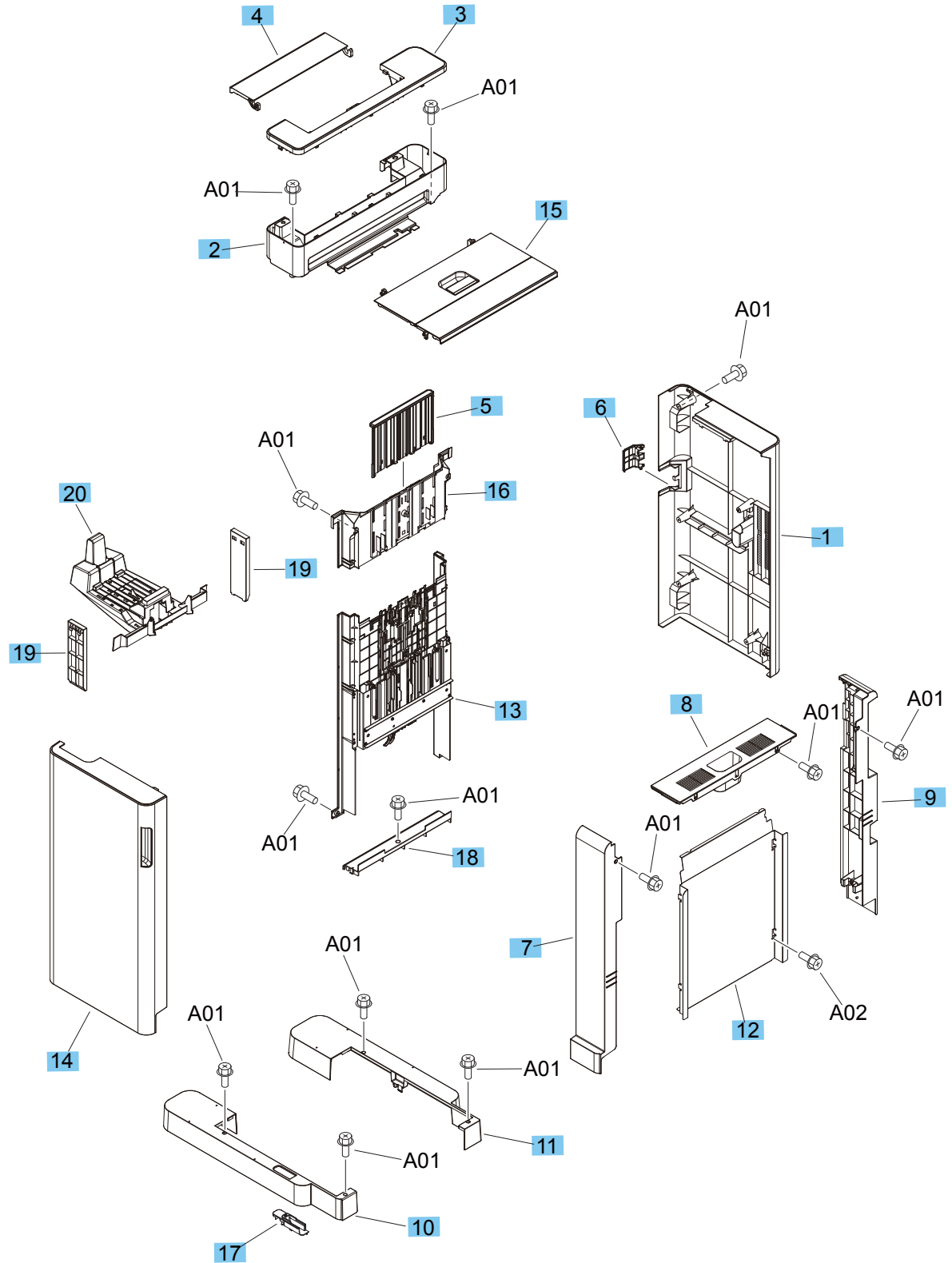


Table 2-25 Booklet maker covers

Ref	Description	Part number	Qty
1	Cover, rear	RC4-2444-000CN	1
2	Cover, stepped, lower	RC4-2447-000CN	1
3	Cover, stepped, upper	RC4-2448-000CN	1
4	Cover, open/close stepped	RC4-2449-000CN	1
5	Guide, wall, upper	RC4-2455-000CN	1
6	Cover, tray cable	RC4-2462-000CN	1
7	Cover, pre-reverse	RC4-2519-000CN	1
8	Cover, reverse, upper	RC4-2520-000CN	1
9	Cover, reverse, rear	RC4-2521-000CN	1
10	Cover, foot, front	RM2-6056-000CN	1
11	Cover, foot, rear	RM2-6057-000CN	1
12	Cover, right	RC4-2565-000CN	1
13	Height wall center assembly	RM2-5852-000CN	1
14	Front cover assembly	RM2-5320-000CN	1
15	Upper cover assembly	RM2-5322-000CN	1
16	Stack wall upper assembly	RM2-5343-000CN	1
17	Handle, lock release	RC4-2584-000CN	1
18	Guide, left lower	RC4-2467-000CN	1
19	Cover, saddle delivery inner	RC4-2471-000CN	2
20	Saddle tray assembly	RM2-5318-000	1

Finisher main body (1 of 3)

Figure 2-21 Finisher main body (1 of 3)

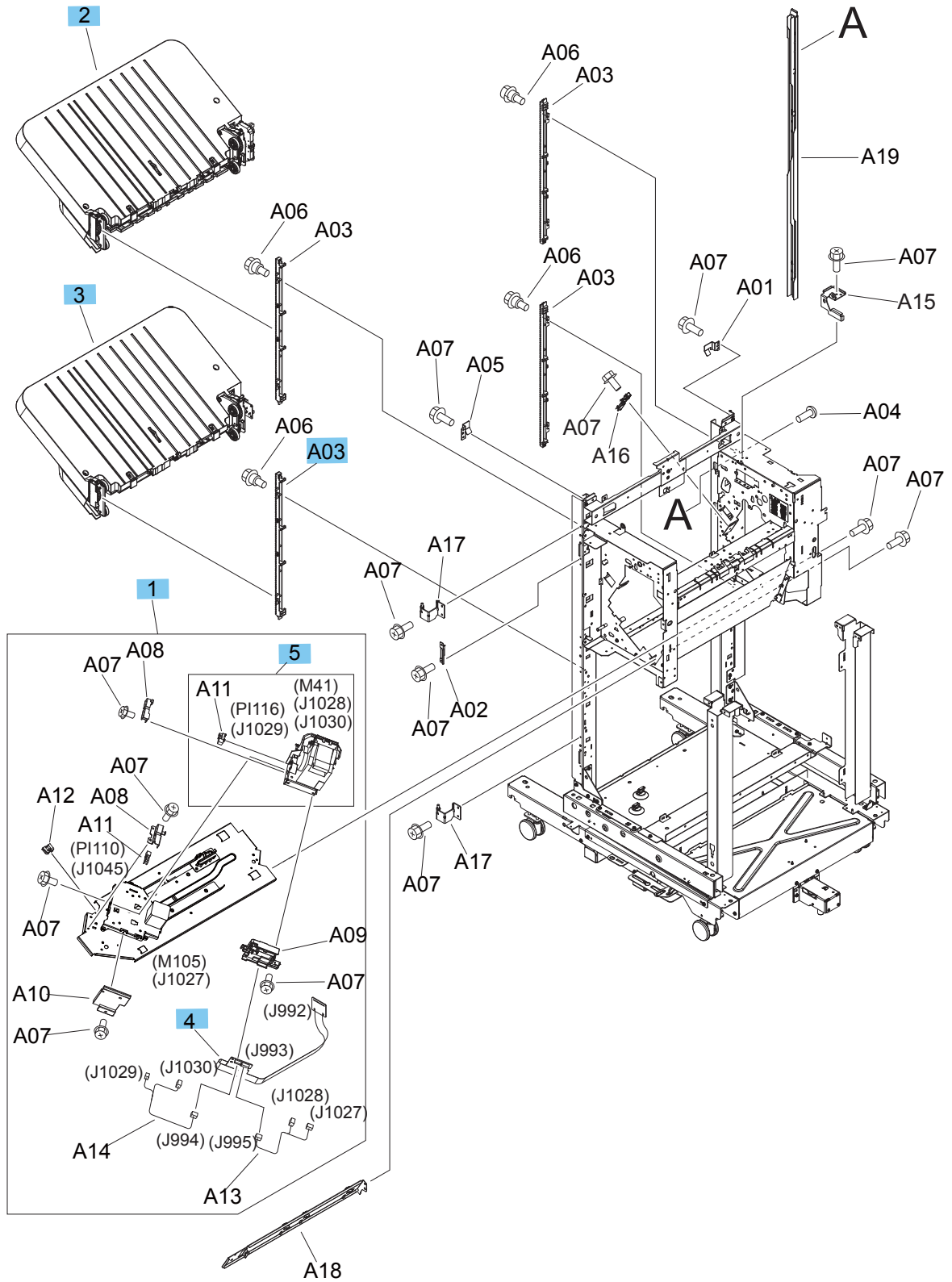


Table 2-26 Finisher main body (1 of 3)

Ref	Description	Part number	Qty
1	Staple assembly	4G3-0938-000CN	1
2	Stack upper tray assembly	RM2-5324-000CN	1
3	Stack lower tray assembly	RM2-5339-000CN	1
4	Cable, staple connecting	4G3-1777-000CN	1
5	Staple sub assembly	4G3-0939-000CN	1
A03	Rack, rail	FC5-5436-000CN	1

Table 2-27 Finisher main body (2 of 3)

Ref	Description	Part number	Qty
1	Upper cover lock assembly	4G3-0210-000CN	1
2	Entrance sensor bracket assembly	FM2-0717-000CN	1
3	Entrance sensor flag assembly	RM2-5849-000CN	1
4	Upper cross-member assembly	FM0-1882-000CN	1
5	Entrance upper guide assembly (booklet maker)	RM2-6024-000CN	1
5	Entrance upper guide assembly (stapler stacker)	FM0-1683-000CN	1
6	Paper feed motor assembly	FM0-1889-000CN	1
7	Photo interrupter tlp1242	WG8-5593-000CN	1
8	Operation tray assembly	RM2-5309-000CN	1
9	Flag, paper sensing sensor	FC5-5004-000CN	1
10	Swing H.P. sensor assembly	4G3-1564-000CN	1
11	Assist sensor assembly	FM2-1396-000CN	1
12	Adjust guide H.P. sensor assembly	FM2-1393-000CN	1

Table 2-28 Finisher main body (3 of 3)

Ref	Description	Part number	Qty
1	Stack ejection motor assembly	4G3-0769-000CN	1
2	Paper face sensor assembly	4G3-0934-000CN	1
3	Main controller PCB assembly	RM2-7595-000CN	1
4	Clutch, electromagnetic	4H3-0370-000CN	2
5	Return roller assembly	FM0-2403-000CN	1
6	Paper detect holder assembly, up	FM0-2429-000CN	1
7	Pressure roller assembly	FM2-0730-000CN	1
8	Shutter H.P. sensor assembly	FM2-1401-000CN	1
9	Press motor assembly	FM2-1409-000CN	1
10	Sensor/switch assembly	FM2-1417-000CN	1
11	Swing guide assembly	RM2-5307-000CN	1
12	Interface cable assembly	RM2-5539-000CN	1
A03	Bushing	FS5-1805-000CN	3
A04	Washer	FS5-6488-000CN	2
A08	Pulley, 20T	FU5-3086-000CN	2
A12	Pin, dowel	XD3-2200-102CN	3
A13	E-ring	XD9-0136-000CN	9
A17	Bearing, ball MF 106ZZS	XG9-0520-000CN	2

Table 2-29 Stapler/stacker finisher main body

Ref	Description	Part number	Qty
1	Inner cover upper assembly	RM2-5305-000CN	1
2	Reverse assembly	RM2-5490-000CN	1
3	Cover, inner, lower	RC4-2526-000CN	1
4	Paper pass assembly	RM2-5334-000CN	2
4	Punch hole assembly (stapler/stacker 2/3 hole punch)	RM2-5455-000CN	2
4	Punch hole assembly stapler/stacker 3/4 hole punch	RM2-5456-000CN	2
5	Punch controller PCB assembly	RM2-7742-000CN	1
6	Punch inner cover assembly (stapler/stacker, hole puncher)	RM2-5516-000CN	1
7	Box, dust (stapler/stacker, hole puncher)	RL2-1249-000CN	1
8	Saddle motor assembly (stapler/stacker)	FM2-0737-000CN	1
9	Driver PCA assembly (stapler/stacker)	RM2-7590-000CN	1
10	Reverse driver PCA assembly	RM2-7597-000CN	1

Booklet maker finisher main body

Figure 2-25 Booklet maker finisher main body

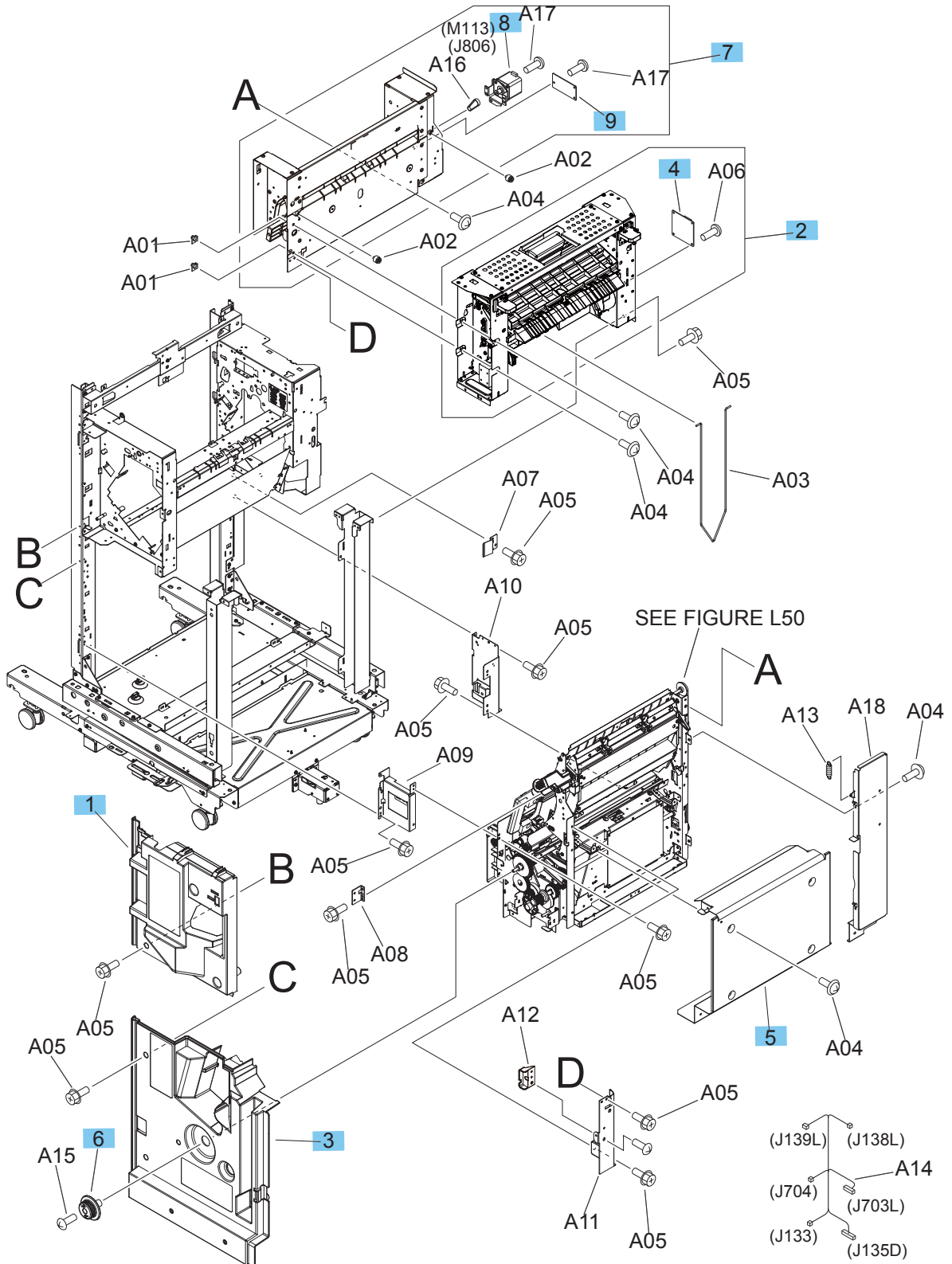


Table 2-30 Booklet maker finisher main body

Ref	Description	Part number	Qty
1	Inner cover upper assembly	RM2-5305-000	1
2	Reverse assembly	RM2-5490-000	1
3	Cover, inner, lower assembly	RM2-5479-000CN	1
4	Reverse driver PCA assembly	RM2-7597-000	2
5	Cover, right	FB3-7958-040CN	1
6	Knob	FB3-7881-000CN	1
7	Saddle paper feed assembly	RM2-5351-000CN	1
8	Saddle motor assembly	FM2-0737-000	1
9	Driver PCA assembly	RM2-7590-000	1

Booklet maker saddle assembly

Figure 2-26 Booklet maker saddle assembly (1 of 3)

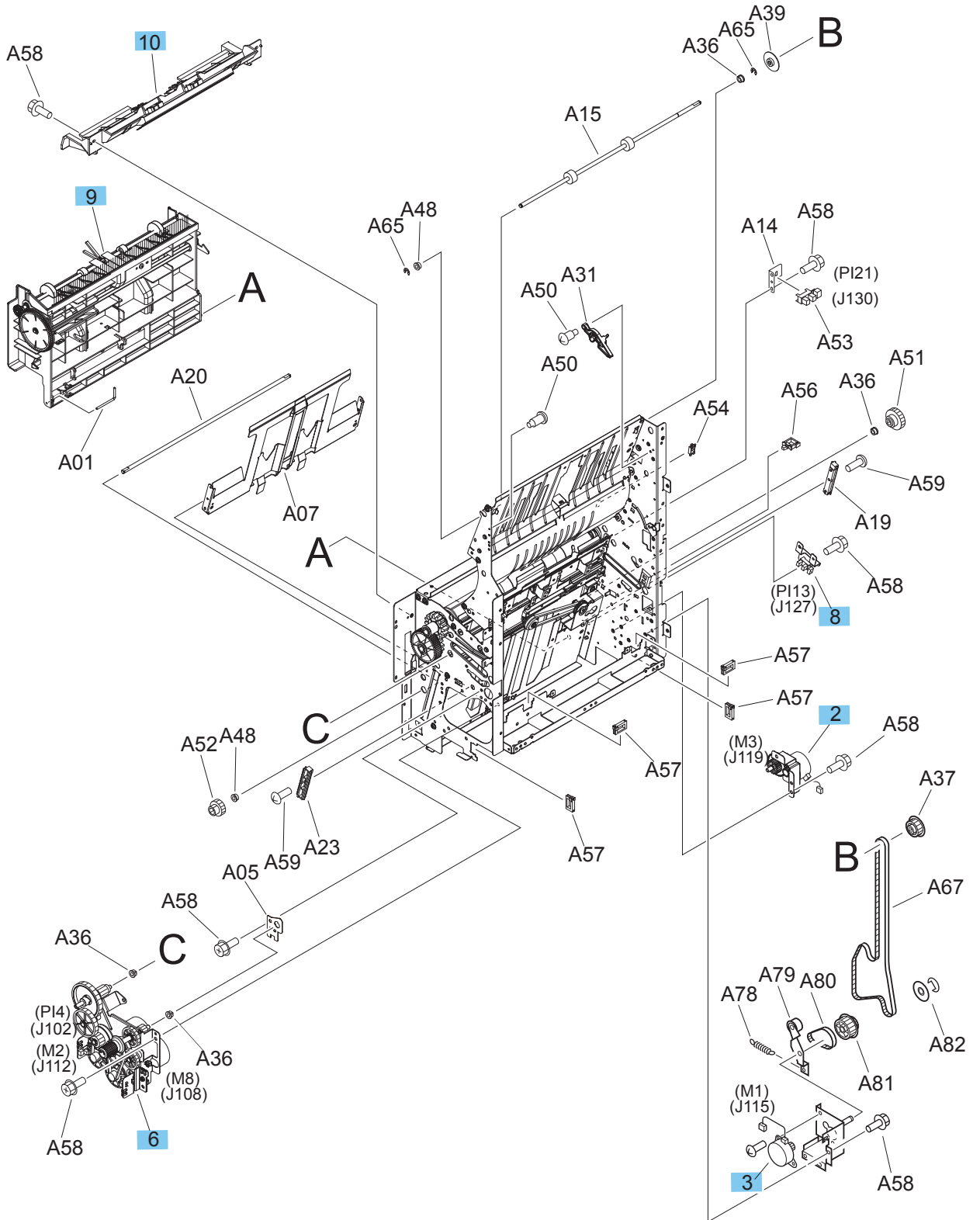


Figure 2-27 Booklet maker saddle assembly (2 of 3)

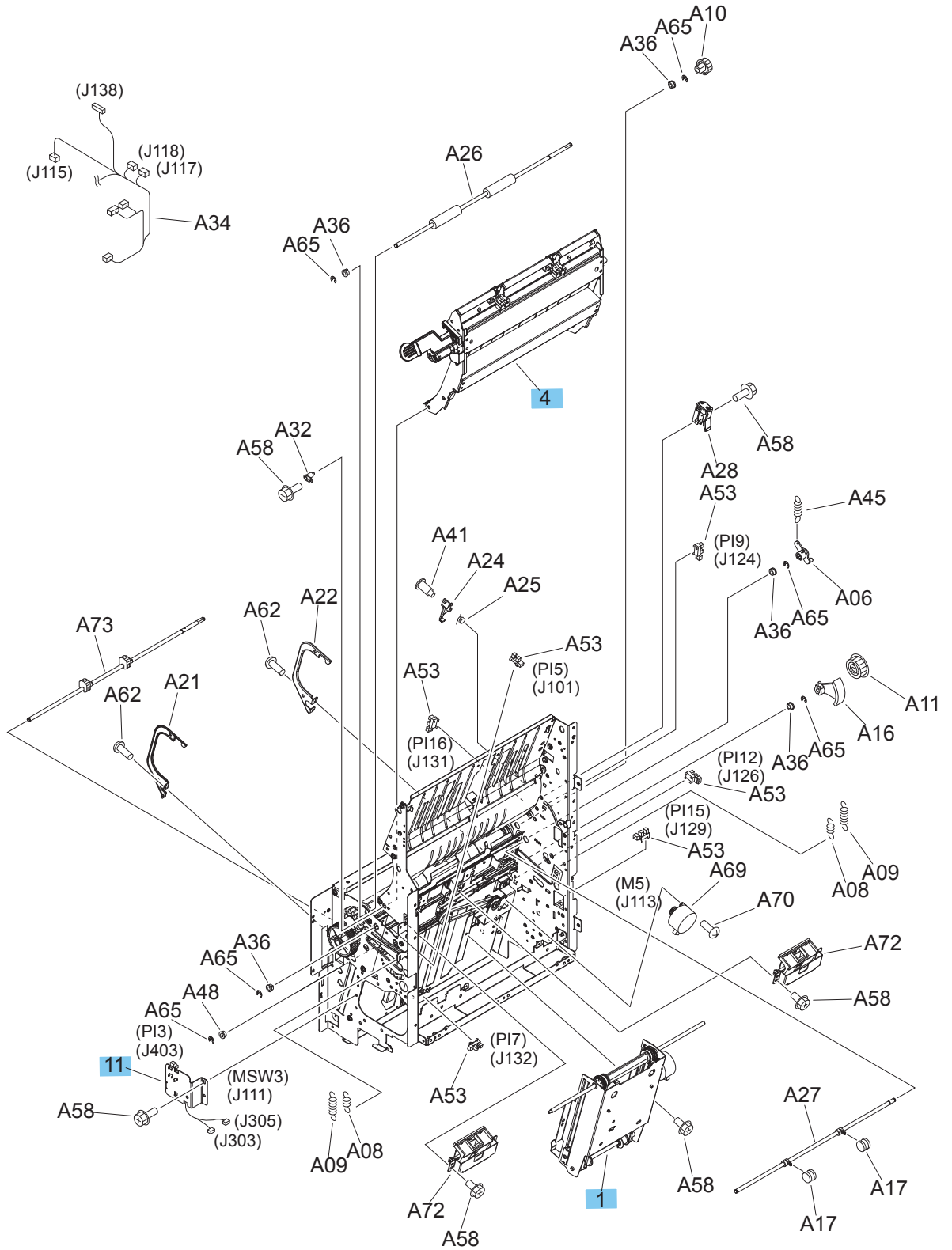


Figure 2-28 Booklet maker saddle assembly (3 of 3)

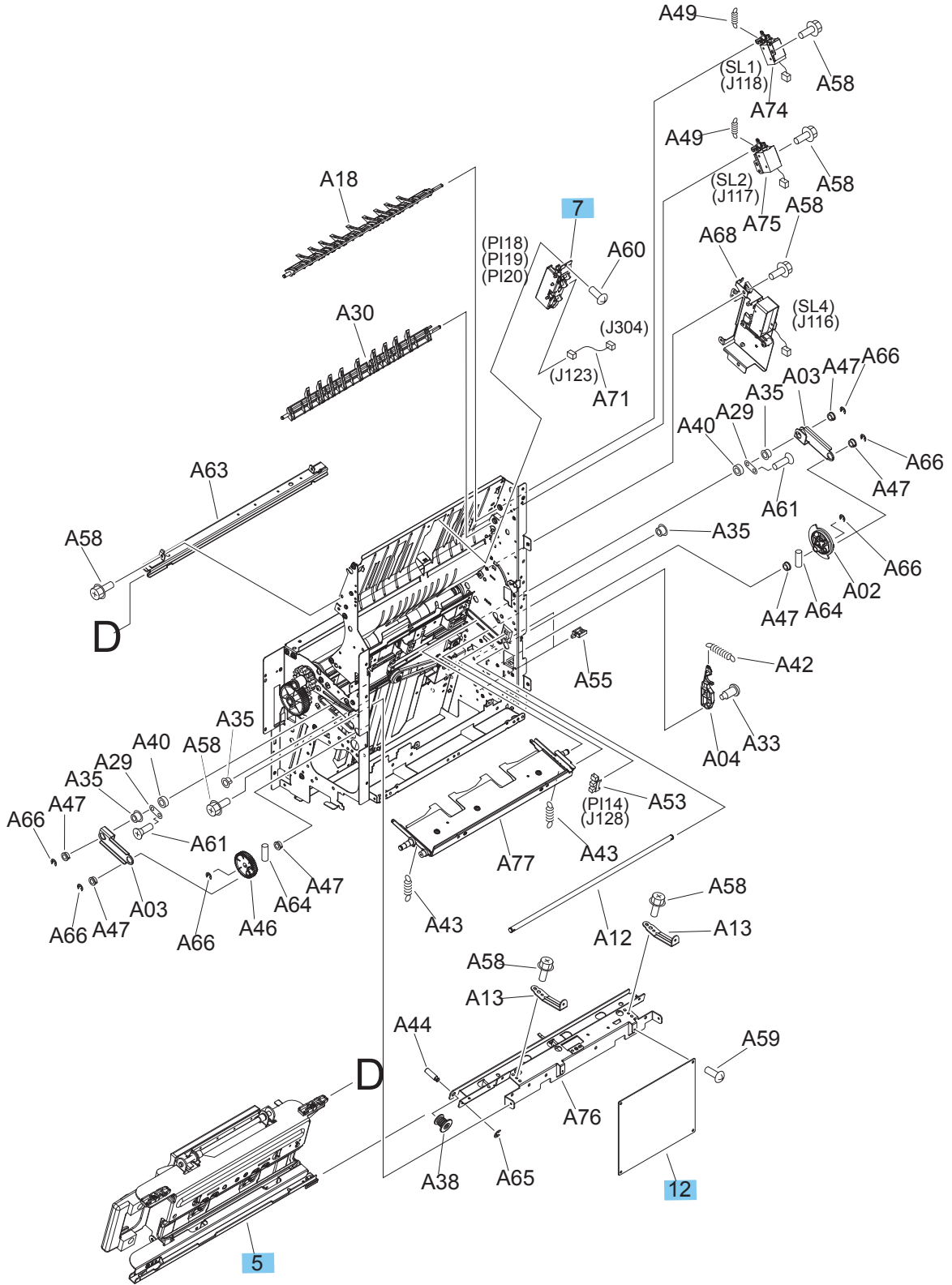


Table 2-31 Booklet maker saddle assembly

Ref	Description	Part number	Qty
1	Inner side plate assembly	4G3-0671-000CN	1
2	Guide motor assembly	4G3-0725-000CN	1
3	Saddle feed motor assembly	4H3-0369-000CN	1
4	Saddle guide assembly	4G3-1940-000CN	2
5	Saddle stapler assembly	4G3-2721-000CN	1
6	Motor mount assembly	FM0-1686-000CN	1
7	Rear end sensor assembly	FM2-0763-000CN	1
8	Guide sensor assembly	FM6-2283-000CN	1
9	Saddle paper delivery assembly	RM2-5332-000CN	1
10	Upper delivery guide assembly	RM2-5349-000CN	1
11	Delivery switch mount assembly	RM2-5633-000CN	1
12	Saddle controller PCA assembly	RM2-7604-000CN	1
Not shown	Assembly, E-ring saddle stapler	XD9-0136-000CN	1